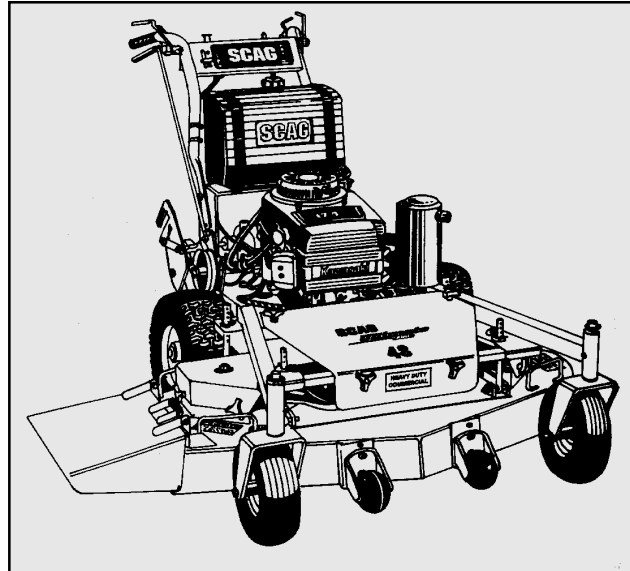


# SCAG<sup>®</sup>

## POWER EQUIPMENT

### MODEL SWU



THIS MANUAL CONTAINS THE OPERATING INSTRUCTIONS AND SAFETY INFORMATION FOR YOUR SCAG MOWER. READING THIS MANUAL CAN PROVIDE YOU WITH ASSISTANCE IN MAINTENANCE AND ADJUSTMENT PROCEDURES TO KEEP YOUR MOWER PERFORMING TO MAXIMUM EFFICIENCY. THE SPECIFIC MODELS THAT THIS BOOK COVERS ARE CONTAINED ON THE INSIDE COVER. BEFORE OPERATING YOUR MACHINE, PLEASE READ ALL THE INFORMATION ENCLOSED.

OPERATOR'S MANUAL



# WARNING:

## **FAILURE TO FOLLOW SAFE OPERATING PRACTICES MAY RESULT IN SERIOUS INJURY.**

- \* Keep all shields in place, especially the grass discharge chute.
- \* Before performing any maintenance or service, stop the machine and remove the spark plug wire and ignition key.
- \* If a mechanism becomes clogged, stop the engine before cleaning.
- \* Keep hands, feet and clothing away from power-driven parts.
- \* Read this manual completely as well as other manuals that came with your mower.
- \* Keep others off the tractor (only one person at a time)

## **REMEMBER - YOUR MOWER IS ONLY AS SAFE AS THE OPERATOR!**

**Hazard control and accident prevention are dependent upon the awareness, concern, prudence, and proper training of the personnel involved in the operation, transport, maintenance, and storage of the equipment.**

This manual covers the operating instructions  
and illustrated parts list for:

**SWU36A-15KA with a serial number of 6190001 to 6199999**

**SWU48A-17KA with a serial number of 6200001 to 6209999**

**SWU52A-17KA with a serial number of 6210001 to 6219999**

Always use the entire serial number listed on the serial number tag when referring to this product.

# SCAG<sup>®</sup>

## POWER EQUIPMENT

### TABLE OF CONTENTS

SUBJECT	PAGE
Introduction .....	1
General Safety Instructions .....	1
Signal Words .....	1
Symbols .....	2-3
Before Operating .....	4
While Operating .....	4-5
Maintenance and Storage .....	5-6
Initial Run-In Procedures .....	6
Mower Operation .....	6-7
Cutter Deck Belt Adjustments .....	7
Transmission Drive Belt .....	7
Drive Control Adjustments .....	7
"Adjust-A-Grip" Settings .....	7-8
Adjusting Cutting Height .....	8
Cutter Blades .....	8
Lubrication and Maintenance Chart .....	9
Troubleshooting Cutting Conditions .....	10-12
Technical Specifications .....	13-14
Limited Warranty Statement.....	Inside Back Cover



# SCAG<sup>®</sup>

## POWER EQUIPMENT

### TABLE OF CONTENTS (CONTINUED)

SUBJECT	PAGE
<b>Illustrated Parts List</b>	
Notes .....	15
SWMU - 36" Cutter Deck .....	16-17
SWMU - 48" & 52" Cutter Deck .....	18-19
Deck Frame - 36" .....	20-21
Deck Frame - 48" & 52" .....	22-23
Engine Deck .....	24-25
Handle Assembly .....	26-27
Instrument Panel .....	28
Peerless Transmission .....	29
Wire Harness - Handle .....	30
Wire Harness - Engine Deck .....	31
Wire Harness Adapter - Kawasaki .....	31
Replacement Decals .....	32-34
Limited Warranty Statement.....	Inside Back Cover

## INTRODUCTION

Your mower was built to the highest standards in the industry. However, the prolonged life and maximum efficiency of your mower depends on you following the operating, maintenance and adjustment instructions in this manual.

We encourage you to contact your dealer for repairs. All Scag dealers are informed of the latest methods to service this equipment and provide prompt and efficient service in the field or at their service shop. They carry a full line of Scag service parts.

A replacement Operator's Manual is available from your Scag Servicing Dealer or by contacting Scag Power Equipment, Service Department at P.O. Box 152, Mayville, WI 53050. Please indicate the complete model and serial number of your Scag product.

### **USE OF OTHER THAN ORIGINAL SCAG REPLACEMENT PARTS WILL VOID THE WARRANTY.**

The “Right” and “Left”, “Front” and “Rear” of the machine are referenced from the operator’s perspective when in the normal operating position and facing the forward travel direction.

## GENERAL SAFETY INSTRUCTIONS

**READ THIS OPERATOR'S MANUAL** and instructions furnished with attachments.

Perform only those maintenance procedures described in this manual. If major repairs are ever needed or assistance is desired, contact an Authorized Scag Dealer. To ensure optimum performance and safety, always purchase genuine SCAG replacement parts and accessories.

Your safety and the safety of others depends significantly upon your knowledge and understanding of all correct operating practices and procedures of this machine.

## SIGNAL WORDS



This symbol means “**Attention! Become Alert! Your Safety is Involved!**”. The symbol is used with the following signal words to attract your attention to safety messages found on the decals and throughout this manual. The message that follows the symbol contains important information about safety. To avoid injury and possible death, carefully read the message! Be sure to fully understand the causes of possible injury or death.

### **Signal Word:**

It is a distinctive word on safety decals and throughout this manual that alerts the viewer to the existence and relative degree of the hazard.




The signal word “DANGER” denotes that an extremely hazardous situation exists on or near the machine that could result in high probability of death or irreparable injury if proper precautions are not taken.






















The signal word “WARNING” denotes that a hazard exists on or near the machine that can result in injury or death if proper precautions are not taken.



The signal word “CAUTION” is a reminder of safety practices on or near the machine that could result in personal injury if proper precautions are not taken.

ISO Symbols		CE Mark
-------------	---	---------

SYMBOL	DESCRIPTION	SYMBOL	DESCRIPTION
	Choke		Transmission
	Parking Brake	 <small>48071S</small>	Spinning Blade
	On/Start		Spring Tension on Idler
	Off/Stop		Oil
		Falling Hazard	

SYMBOL	DESCRIPTION	SYMBOL	DESCRIPTION
	Fast		Slow
	Continuously variable - Linear		Cutting element - Basic symbol
	Pinch Point		Cutting element - Engage
	Hourmeter/elapsed operating hours		Cutting element - Disengage
	Keep bystanders away		Read operator's manual

## BEFORE OPERATING

1. Know the controls and how to stop quickly.
2. Do not allow children to operate the machine. Do not allow adults to operate the machine without proper instruction.
3. Remove all debris or other objects that might be picked up and thrown by the cutter blades. Keep all bystanders away from the mowing area.
4. Keep all shields, safety devices, and decals in place. If a shield, safety device or decal is defective or damaged, repair or replace it before operating. Also, check all nuts, bolts and screws for proper tightness, to assure the machine is in safe operating condition.
5. Do not operate the machine while wearing sandals, tennis shoes, sneakers or shorts. Also, do not wear loose fitting clothing which could get caught in moving parts. Always wear long pants and substantial shoes. Wearing safety glasses and safety shoes is advisable and required by some local ordinances and insurance regulations.
6. Fill the fuel tank with clean, fresh gasoline, with a minimum octane rating of 87. Avoid spilling gasoline. Gasoline is highly flammable, handle it carefully.
  - A. Use an approved gasoline container.
  - B. Do not fill the tank while the engine is hot or running.
  - C. Do not smoke while handling gasoline.
  - D. Fill the fuel tank outdoors and up to approximately 1" (25 mm) below the bottom of the filler neck.
  - E. Wipe up any spilled gasoline.
7. Before attempting to start the engine, shift the transmission into neutral, move the blade engagement switch to the OFF position, and move the neutral latches to neutral.

## WHILE OPERATING

1. Start the engine when the neutral latches are in the neutral lock position, the cutter blades are disengaged, and the transmission is in neutral.
2. Do not run the engine in a confined area without adequate ventilation. Exhaust fumes are hazardous and could possibly be deadly.
3. Using the machine demands attention. To prevent loss of control:
  - A. Mow only in daylight or when there is good artificial light.
  - B. Watch for holes or other hidden hazards.
  - C. Do not drive close to a drop-off, ditch, creek bank, or other hazard.
  - D. Reduce speed when making sharp turns and when turning on hillsides.
  - E. Always be sure of your footing. Keep a firm hold on the handles and walk---never run.
  - F. Do not operate where conditions are slippery.
4. The discharge chute must always be installed and in the down position on the side discharge cutter deck except when the Scag optional grass catcher or mulching plate are properly installed. If the discharge area should plug, shut the engine off and wait for all movement to stop before removing the obstruction.
5. Disengage the blades and wait for them to stop before crossing gravel drives, walks or roads.
6. Shut the engine off and wait until the blades come to a complete stop before removing the grass catcher container.
7. Never raise the cutter deck while the blades are rotating.
8. Always park the mower and/or start the engine on a level surface.



9. If the cutting blades should strike a solid object or the equipment should start to vibrate abnormally, stop the engine, disconnect the spark plug wire, and check immediately for the cause. Vibration is generally a warning of trouble. Check the machine for damaged or defective parts. Repair any damage before starting the engine or operating the cutter deck. Be sure the blades are in good condition and the blade bolts are tight.
10. Reduce speed and exercise extreme caution on slopes and in sharp turns to prevent tipping or loss of control. Be especially cautious when changing directions on slopes.

**⚠️ WARNING:**

**DO NOT operate on steep slopes. To check a slope, attempt to back up it (with the cutter deck down). If the machine can back up the slope without the wheels slipping, reduce speed and use extreme caution. ALWAYS FOLLOW OSHA APPROVED OPERATION.**

11. Do not touch the engine or muffler while the engine is running or soon after it is stopped. These areas could be hot enough to cause a burn.
12. Before leaving the operator's position or leaving the mower unattended, shift the transmission into neutral, place the neutral latches in the neutral lock position, and move the blade engagement switch to OFF. Shut the engine OFF and remove the key.
13. Do not pass or stand on the grass discharge side of any mower with the engine running. Stop operation when another person approaches.

14. Use only Scag approved riding attachments.

Scag Approved Riding Attachments:

RS-2

RS-ZT

Using unapproved attachments, (especially "stand-up" riding attachments) may be hazardous.

## MAINTENANCE AND STORAGE

1. Disconnect the spark plug wire from the spark plug to prevent accidental starting of the engine when servicing, adjusting or storing the machine.
2. If the mower must be tipped to perform maintenance or adjustment, remove the battery if it has one, drain the gasoline from the fuel tank and the oil from the crankcase.
3. To reduce potential fire hazard, keep the engine free of excessive grease, grass, leaves and accumulations of dirt.
4. Be sure the machine is in safe operating condition by keeping nuts, bolts, and screws tight. Check the blade mounting bolts and nuts frequently to be sure they are tightened.
5. If the engine must be running to perform a maintenance adjustment, keep hands, feet, clothing and other parts of the body away from the cutter deck blades and other moving parts.
6. Do not overspeed the engine by changing governor settings. To be sure of safety and accuracy, have an authorized dealer check maximum engine speed with a tachometer.
7. The engine must be shut off before checking the oil or adding oil to the crankcase.
8. Allow the engine to cool before storing the mower in any enclosure such as a garage or storage shed. Make sure the fuel tank is empty if the machine is to be stored in excess of 30 days. Do not store the mower near any open flame or where gasoline fumes may be ignited by a spark.



**⚠️ WARNING**

**FALLING HAZARD**

**USE ONLY SCAG APPROVED**

**RIDING ATTACHMENTS**

**SEE OPERATOR'S MANUAL** 481109

9. Always store gasoline in a safety-approved, red container.
10. Be careful when servicing the battery as it contains acid, which is corrosive and could cause burns to skin and clothing.
11. Batteries release explosive gases when being charged or discharged. Keep batteries away from any source of sparks and/or flame.

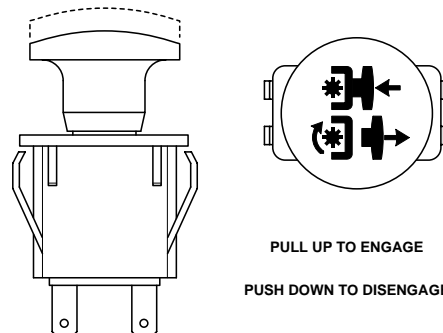
## INITIAL RUN-IN PROCEDURES (FIRST DAY OF USE OR APPROXIMATELY 10 HOURS)

1. Check the belts for proper tension at 2, 4 and 8 hours. Check for abnormal wear and adjust as needed.
2. Check the steering control rods for neutral adjustment. (See Adjustments, page 7)
3. Check the tires for proper pressure.

Caster Wheels	25 psi.
Drive Wheels	15 psi.
4. Check for loose hardware. Tighten as needed.
5. Check the safety switches for proper adjustment:
  - \* The engine will crank, but not start if the machine is not in neutral.
  - \* On electric start machines, the engine will not crank if the PTO switch is on.
  - \* The engine should crank and start if the machine is in neutral and the PTO engagement switch is OFF.
6. Apply lubricant to all the grease fittings. Lubricant was applied at the factory. This is just a precautionary check to make sure that all the fittings have been lubricated properly.

## MOWER OPERATION

1. Read and understand the safety instructions before attempting to operate this machine.
  2. Before starting the engine:
    - \* Check the oil level in the engine.
    - \* Fill the fuel tank with clean, fresh, lead-free gasoline.
    - \* Open the fuel valve on the bottom of the fuel tank.
- NOTE-**
- Use gasoline with an octane rating no less than 87.*
- \* The transmission must be in NEUTRAL.
  - \* The blade clutch switch must be in the OFF position.
  - \* The operator's presence levers must be released.
  - \* The neutral latches must be in the neutral lock position.
  - \* The key switch must be on.
3. Start the engine:
    - \* Choke as required. If the engine is cold, pull the choke knob out. When the engine starts, slowly push the choke in. If the engine stalls, repeat the above operation. When the engine is warm, choking may not be necessary.
  4. Engage the cutter blades by pulling the blade clutch switch into the ON position. Push the switch to the OFF position to disengage the cutter blades.



## -NOTE-

When the PTO is engaged or (possibly) disengaged, a squealing sound from the underside of the machine is normal. It is caused by the electric clutch plates meshing as the cutter blades come up to speed. For best equipment life, engage the clutch with the engine at 1/2 throttle, not under full load.

## **! WARNING:**

**To avoid serious bodily injury and damage to the transmission, the machine must be at a full stop before shifting between gears or shifting between forward and reverse.**

- Shift the transmission into gear for the desired mowing speed.

## -NOTE-

*Top speed is suggested only for transport!*

- While squeezing the steering brake levers with both hands, release both neutral latches.
- When the steering brake levers are released, the machine will travel straight. To make a right turn, squeeze the RH lever. To turn left, squeeze the LH lever.
- TO STOP, squeeze both levers, lock the neutral latches, and shift the transmission into neutral.

## CUTTER DECK BELT ADJUSTMENTS

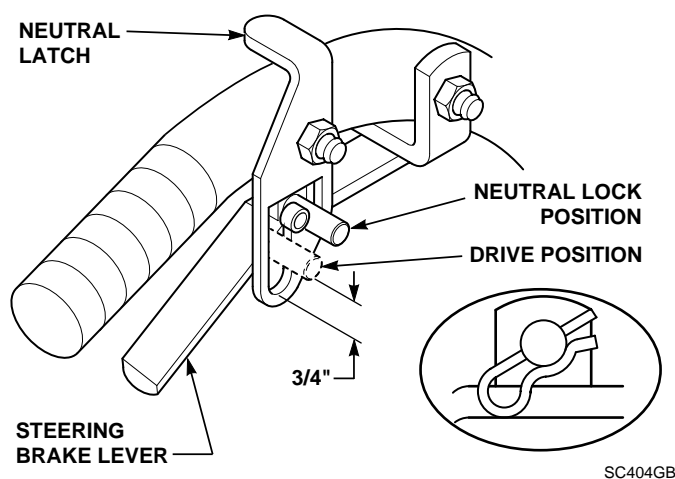
Due to a spring-loaded idler system, there is no adjustment necessary for the cutter deck belts. The 36" cutter deck has one spring-loaded idler. The 48" cutter deck has two spring loaded idlers.

## TRANSMISSION DRIVE BELT

The transmission drive belt on the SWU belt drive machine has a spring-loaded idler system and needs no adjustment. If you find that the transmission slips, see your local Scag Servicing Dealer for service.

## DRIVE CONTROL ADJUSTMENTS

- Adjust the steering control rods so that there is approximately 3/4" clearance from the bottom of the rod to the bottom of the neutral latch slot when in the drive position. (See Figure 1)

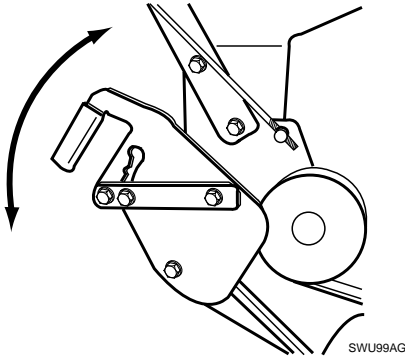


**Figure 1. Steering Control Rod Adjustment**

- Adjust the steering brake rods so that the brakes do not apply until the steering levers are pulled tight to the handles. When the steering levers are locked in the neutral position the machine should move freely.

## "ADJUST-A-GRIP SETTINGS"

"Adjust-A-Grip," with three settings, allows hand force adjustment in the field, with no tools required. To operate the "Adjust-A-Grip", pull back on the handle and move the lever up or down depending on the amount of belt force needed (See Figure 2, page 8).



**Figure 2. "Adjust-A-Grip"**

Cutting conditions will determine what setting is needed for the Adjust-A-Grip" and your machine. If the drive belts slip due to high moisture conditions, the tension may need to be increased. On the other hand, if the day is dry and you are cutting on flat terrain the tension may be decreased. To change the settings:

1. Pull back and move the lever up to reduce tension on the drive belt.
2. Pull back and move the lever down to increase tension on the drive belt.

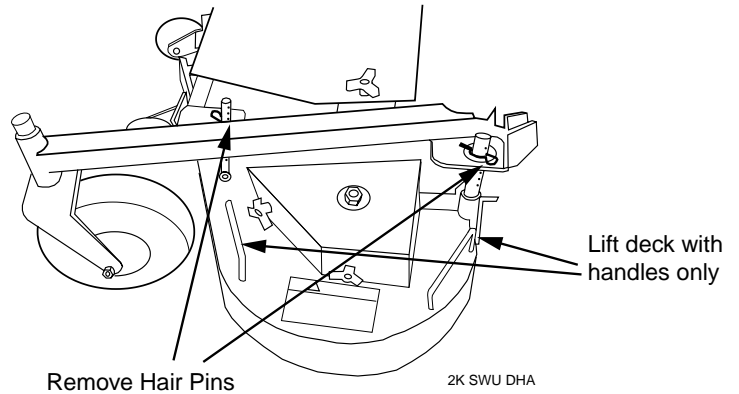
## ADJUSTING CUTTING HEIGHT

The mower deck can be adjusted from a height of 1-inch to 4-1/2 inches at 1/2-inch intervals. To adjust the cutting height:

**! WARNING:**  
**Do not adjust the cutting height with the mower blades rotating. Shut off the engine and remove the ignition key. Bodily injury could occur from the rotating blades. Lift cutter deck by the handles only. Do not reach under the cutter deck to lift it.**

1. Shut off the engine and remove the ignition key.
2. Remove the two hairpins from the adjusting pins on one side of the cutter deck (Figure 3).

3. Using the deck handles, lift or lower the deck to the desired cutting height and reinstall the hairpins. A deck height decal is located on the deck mounting frame as an aid in adjusting the deck to the desired height.
4. Repeat the above process on the other side of the cutter deck.



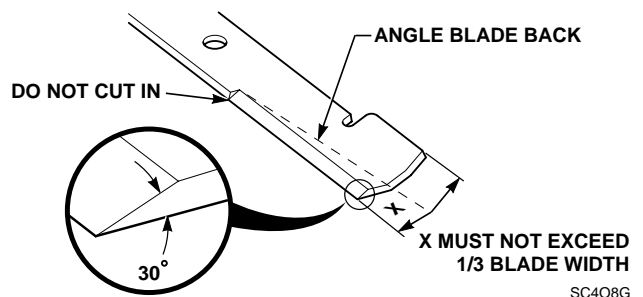
**Figure 3. Cutting Height Adjustment**

## CUTTER BLADES

Do not sharpen beyond 1/3 of the width of the blade. (See Figure 3)

**-NOTE-**

*Dress the blade with a file. Using a wheel grinder may burn the blade. Check the balance of the blade. If blades are out of balance, vibration and premature wear of spindle assembly can occur. See your authorized Scag dealer for blade balancing or special tools if you choose to balance your own blades.*

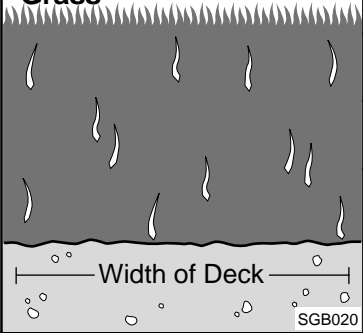
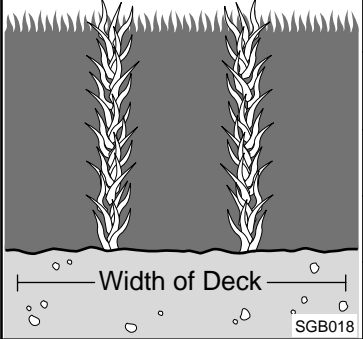
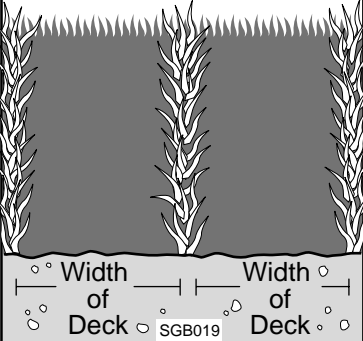


**Figure 4. Blade Sharpening**

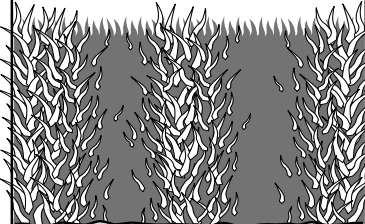
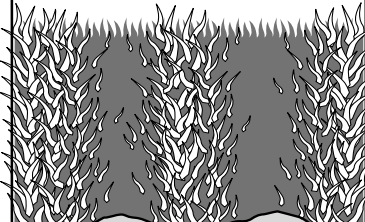
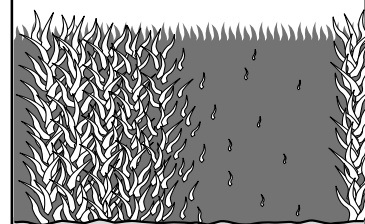
## LUBRICATION & MAINTENANCE

BREAK-IN		+ Grease spindle until grease comes out the relief valve.	
8 HOURS (DAILY)		Compatible Greases:	
40 HOURS (WEEKLY)		Lidok EP #2 (found at industrial shops)	
100 HOURS (BIWEEKLY)		Ronex MP (Exxon service stations)	
		Shell Alvania (Shell service stations)	
		Mobilux #2 (Mobil service stations)	
		PROCEDURE	COMMENTS
X		Check all hardware for proper tightness	
X		Change engine oil and filter at 5 hours	
X		Check engine oil	Do not over fill
X		Remove debris from under belt cover	More often if needed
X		Sharpen cutter blades	More often if needed
X		Grease spindle bearings	+ US Lithium MP White Grease 2125
X		Clean air filter	More often if needed
X		Check belt wear	
X		Check tire pressure	Add or adjust as required
X		Change engine oil	See engine mfg. information
X		Replace air filter	More often if needed
X		Grease caster wheel bearings	Chassis grease
X		Grease caster wheel pivot shafts	Chassis grease
X		Grease drive wheel bearings	Chassis grease
X		Grease transmission couplers	Chassis grease
X		Grease idler bracket LH & RH	Chassis grease
X		Check all hardware for proper tightness	More often if needed
	X	Adjust air gap on electric clutch	Contact your Scag dealer for information about making this adjustment.

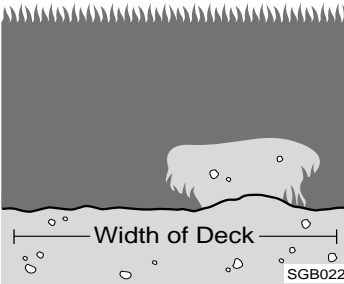
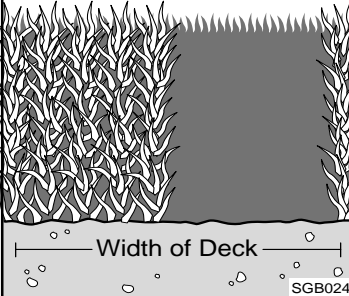
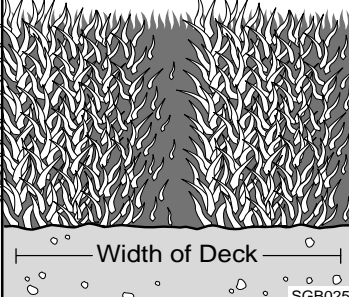
## TROUBLESHOOTING CUTTING CONDITIONS

CONDITION	CAUSE	CURE
<b>Stringers - Occasional Blades of Uncut Grass</b>  <p>Width of Deck</p> <p>SGB020</p>	Low engine RPM	Run engine at full 3600 RPM
	Ground speed too fast	Slow speed to adjust for conditions
	Wet grass	Cut grass after it has dried out
	Dull blades, incorrect sharpening	Sharpen blades
	Deck plugged, grass accumulation	Clean underside of deck
<b>Streaking - Strips of Uncut Grass in Cutting Path</b>  <p>Width of Deck</p> <p>SGB018</p>	Dull, worn blades	Sharpen blades
	Incorrect blade sharpening	Sharpen blades
	Low engine RPM	Run engine at full 3600 RPM
	Belt slipping	Adjust belt tension
	Deck plugged, grass accumulation	Clean underside of deck
	Ground speed too fast	Slow speed to adjust for conditions
	Wet grass	Cut grass after it has dried out
<b>Streaking - Strips of Uncut Grass Between Cutting Paths</b>  <p>Width of Deck</p> <p>Width of Deck</p> <p>SGB019</p>	Not enough overlapping between rows	Increase the overlap of each pass

## TROUBLESHOOTING CUTTING CONDITIONS

CONDITION	CAUSE	CURE
<p data-bbox="175 386 444 590"><b>Uneven Cut on Flat Ground - Wavy High-Low Appearance, Scalloped Cut, or Rough Contour</b></p>  <p data-bbox="256 898 418 926">Width of Deck</p> <p data-bbox="451 940 505 961">SGB020</p>	Lift worn off of blade	Replace blade
	Blade upside down	Mount with cutting edge toward ground
	Deck plugged, grass accumulation	Clean underside of deck
	Too much blade angle (deck pitch)	Adjust pitch and level
	Deck mounted improperly	See your authorized SCAG dealer
	Bent spindle area	See your authorized SCAG dealer
	Dull blade	Sharpen blade
<p data-bbox="175 982 493 1157"><b>Uneven Cut on Uneven Ground - Wavy Appearance, High-Low Scalloped Cut, or Rough Contour</b></p>  <p data-bbox="256 1476 418 1503">Width of Deck</p> <p data-bbox="451 1518 505 1539">SGB021</p>	Uneven ground	May need to reduce ground speed, raise cutting height, and/or change direction of cut
<p data-bbox="175 1562 477 1629"><b>Sloping Ridge Across Width of Cutting Path</b></p>  <p data-bbox="256 1927 418 1955">Width of Deck</p> <p data-bbox="451 1969 505 1990">SGB023</p>	Tire pressures not equal	Check and adjust tire pressure
	Wheels uneven	Check and adjust tire pressure
	Deck mounted incorrectly	See your authorized SCAG dealer

## TROUBLESHOOTING CUTTING CONDITIONS

CONDITION	CAUSE	CURE
<p><b>Scalping - Blades Hitting Dirt or Cutting Very Close to the Ground</b></p>  <p>Width of Deck</p> <p>SGB022</p>	Low tire pressures	Check and adjust pressures
	Ground speed too fast	Slow speed to adjust for conditions
	Cutting too low	May need to reduce ground speed, raise cutting height, change direction of cut, and/or change pitch and level
	Rough terrain	May need to reduce ground speed, raise cutting height, and/or change direction of cut
	Ground speed too fast	Slow speed to adjust for conditions
<p><b>Step Cut Ridge in Center of Cutting Path</b></p>  <p>Width of Deck</p> <p>SGB024</p>	Blades not mounted evenly	Adjust pitch and level
	Bent blade	Replace blade
	Internal spindle failure	See your authorized SCAG dealer
	Mounting of spindle incorrect	See your authorized SCAG dealer
<p><b>Slope Cut - Sloping Ridges Across Width of Cutting Path</b></p>  <p>Width of Deck</p> <p>SGB025</p>	Bent spindle mounting area	See your authorized SCAG dealer
	Internal spindle failure	See your authorized SCAG dealer
	Bent deck housing	See your authorized SCAG dealer



**TECHNICAL SPECIFICATIONS****MODELS**

SWU36A-15KA, SWU48A-17KA, SWU52A-17KA

**ENGINE**

General Type:

Heavy duty industrial/commercial

Brand / Model:

Kawasaki FH451V, Kawasaki FH500V

Horsepower:

Kawasaki FH451V = 15HP maximum @ 3600 RPM

Kawasaki FH500V = 17HP maximum @ 3600RPM

Type:

Kawasaki = 15HP 4 cycle gas, air cooled, V twin cylinder, vertical shaft engine

Kawasaki = 17HP 4 cycle gas, air cooled, V twin cylinder, vertical shaft engine

Displacement:

Kawasaki FH451V = 426 cc; Kawasaki FH500V = 494 cc

Cylinder:

Kawasaki FH451V &amp; FH500V = 2 cast-iron sleeves

Governor:

Mechanical type governor with variable speed control. Settings:

Kawasaki = 3600 rpm(+/- 75rpm), idle set at 1550 rpm (+/- 75 rpm)

Air Cleaner:

Kawasaki = Semi-cyclone type with dual element

Exhaust:

Single canister side mount muffler.

Fuel Pump Group:

Kawasaki = Pulse-type fuel pump with in-line fuel filter

Oil Pump Group:

Kawasaki = Full pressure lubrication with oil filter

Starter/Electrical:

Electronic ignition with recoil starter

**ENGINE DECK**

Thickness:

7 gauge steel.

Fuel Tank:

5 gallon (19.0 liters) seamless polyethylene.

Drive Wheels/Tires:

15.0 x 6.0-6 two-ply pneumatic tubeless.

Handle Bars:

1-1/4" diameter.

**DRIVE SYSTEM**

Type:

Belt drive with twin power belts for increased friction to pulley surface and "Adjust-A-Grip" traction control lever with three settings

Transmissions:

Peerless 5-speed transmission, Model #700-070A with 9 spline coupler shaft

Steering/Travel Control:

Clutch/brake fingertip steering, key lock switch. ("Adjust-A-Grip" design allows minimum hand force to operate controls)

Brakes:

6" drum, band brake, one on each wheel.

Axles:

1"

Wire Harness:

14 gauge wire.

Safety Group:

Hand actuated operator presence system with blade clutch and transmission interlock to engine kill

Forward Speed Range:

1.5 to 7.0 mph

Reverse Speed Range:

3.0 mph

## TECHNICAL SPECIFICATIONS (CON'T)

### CUTTER DECK

Type:	Out-front floating design with anti-scalp rollers.
Construction:	10-gauge steel reinforced with 7-gauge (3/16") Support plate. 7-gauge (3/16") deck skirt with easy clean-out design.
True Cutting Width:	36.0 inches (90.2cm), 48.0 inches (122.0cm)
Blade Engagement:	Electric blade engagement clutch with control panel switch
Cutting Height Adjustment:	Manual adjustment 1" to 4-1/2" in 1/2" increments
Cutter Blades:	.197 Thick Marbane 36" = Two (2) 18" blades 48" = Three (3) 16.5" blades 52" = Three (3) 18" blades
Discharge Opening:	36", 48" & 52" = Extra wide 11.5"
Caster Wheels:	11 x 4.5-5 smooth-tread flotation, roller bearings with quick pin removal
Spindles:	Cast housing, taper roller bearing, low maintenance with top access grease fitting and grease overfill relief poppet.
Spindle Pulleys:	Cast-iron with easily removed taper hubs
Idler Arm:	Spring-loaded self adjusting with permanent lubrication
Cutter Deck Belts:	B-section with Kevlar® cord.

### ADDITIONAL SPECIFICATIONS

### OPTIONAL ITEMS/ATTACHMENTS

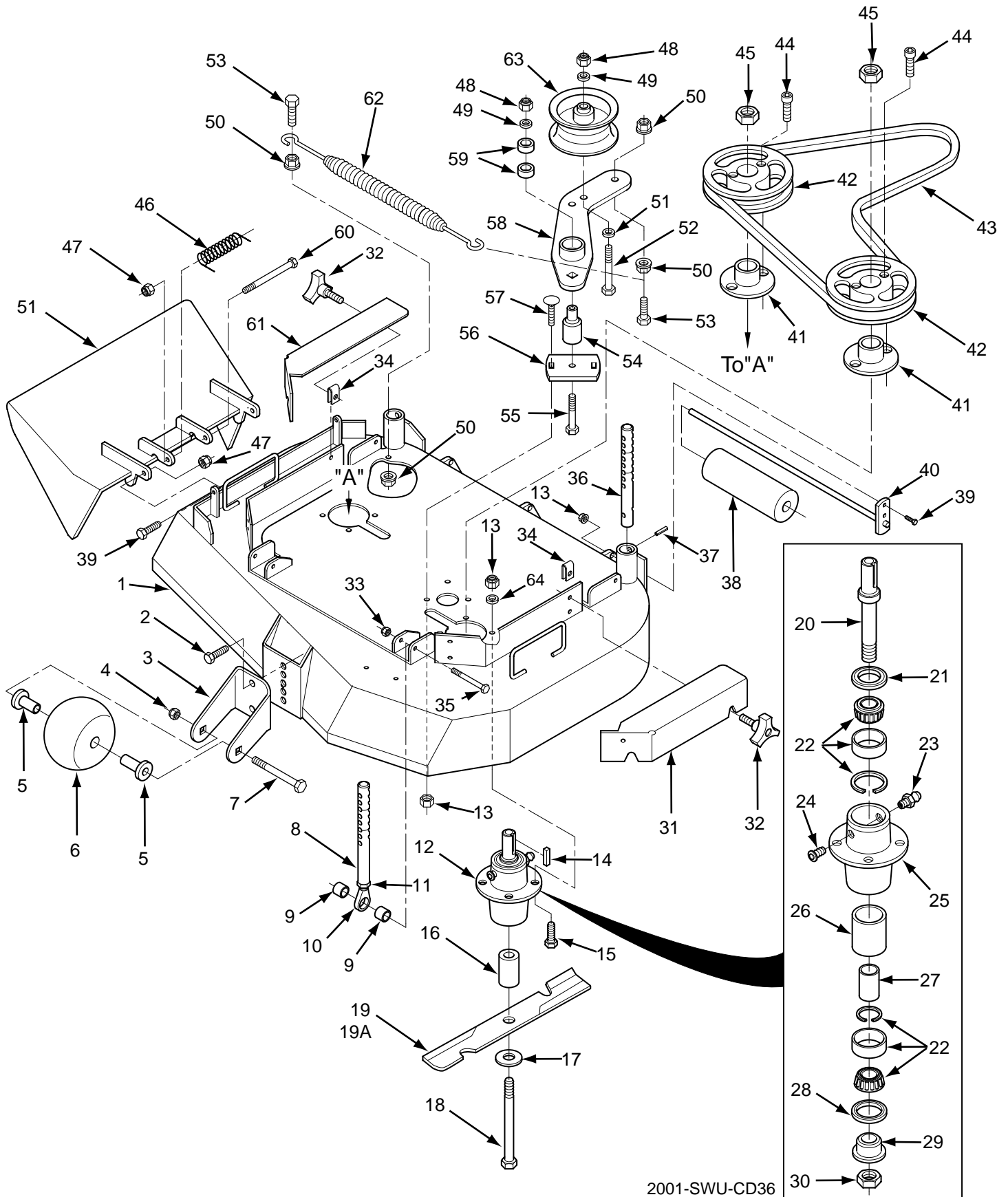
Fabric Grass Catcher:	GC-F4 Grass Catcher with 4 cubic ft. capacity
Metal Grass Catcher:	GC-4D Grass Catcher with 4 cubic ft. capacity and rope pull dump or pickup and dump.
Sulky:	RS-2 Two-Wheel Sulky with padded seat. RS-ZT Two-Wheel Zero-Turn Sulky with padded seat.
Mulch Master	Provides individually baffled chambers with specially designed deflectors to redistribute grass clippings within the chambers for improved mulching. Includes serrated "Eliminator" cutter blades featuring "Double-Cut" edge for high velocity shredding of grass clippings.

### APPROXIMATE DIMENSIONS

	<b>SWU36A</b>	<b>SWU48A</b>	<b>SWU52A</b>
Length:	79.5"	74.0"	75"
Length with grass catcher:	79.5"	74.0"	75"
Tracking Width:	34.75"	34.75"	34.75"
Width:	48.0"	59.0"	64"
Width (with discharge chute up):	38.0"	49.0"	53"
Width with grass catcher:	56.0"	68.0"	72"
Height:	41.25"	41.25"	41.25"
Height with grass catcher:	41.25"	41.25"	41.25"
Weight:	513 lbs.	578 lbs.	643 lbs.
Weight with grass catcher:	553 lbs.	618 lbs.	686 lbs.

**NOTES**

## 36" CUTTER DECK



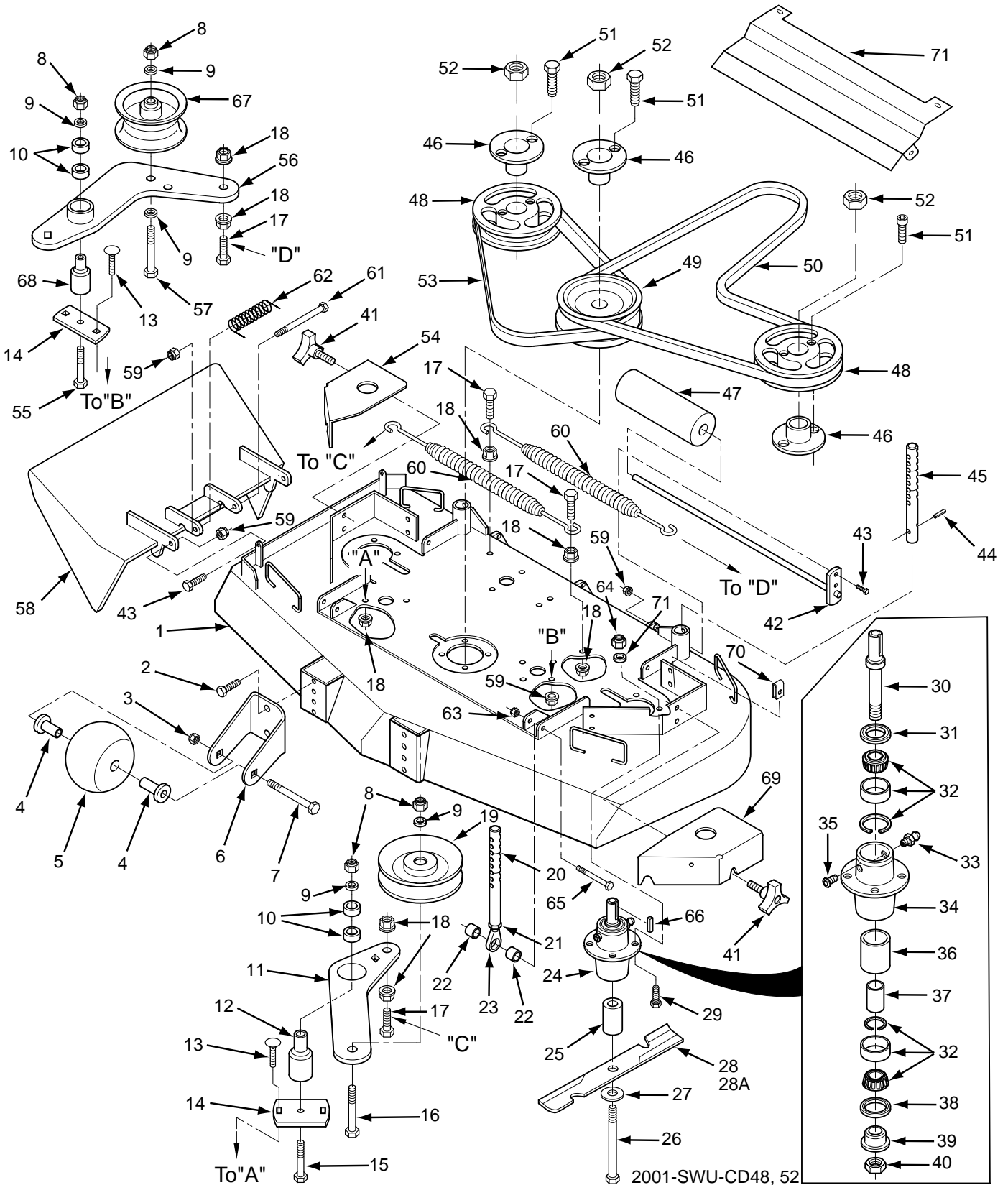
2001-SWU-CD36

## 36" CUTTER DECK

Ref. Part No. Number	Description	Ref. Part No. Number	Description		
1	461363	Cutter Deck (Includes Decals)	33	04021-09	Nut, 3/8-16 Elastic Stop
2	04017-27	Capscrew, 3/8-16 x 1.0"Serrated Flange Hex Hd	34	04110-03	U-Nut, 3/8-16
3	422478	Bracket, Anti-Scalp Wheel	35	04001-31	Bolt, Hex Head 3/8-16 x 2.50"
4	04021-05	Lock Nut, 3/8-16 Center Lock	36	43515	Pin, Deck Adj. Rear
5	48100-15	Bushing, 376 ID Oilite	37	04060-08	Pin, Sloted Spring 3/16 x 1.50"
6	481632	Wheel, Anti-Scalp (Incl. Item 5)	38	48038	Guide, Roller
7	04003-26	Bolt, Carriage 3/8-16 x 4.0"	39	04001-12	Bolt, Hex Head 5/16-18 x 1.75" Front
8	481838	Pin Assy., Deck Adj. (Incl. Items 10 & 11)	39	04001-11	Bolt, Hex Head 5/16-18 x 1.50" Rear
9	43512	Spacer, Deck Adjustment Pin	40	451118	Roller Shaft
10	481539	Rod End, Male 3/8-24 RH Thread	41	48926	Tapered Hub
11	04020-25	Nut, 3/8-24 Jam	42	48924	Pulley
12	46631	Spindle Assembly	43	481880	Belt, Cutter Deck
13	04021-10	Nut, 5/16-18 Elastic Stop	44	04015-14	Capscrew, Socket Head. 1/4-20 x 1.375"
14	04063-08	Key, 1/4 x 1/4 x 2.0"	45	04020-09	Hex Nut, 5/8-11
15	04001-10	Bolt, Hex Head 5/16-18 x 1.50"	46	482245	Spring, Chute Return
16	43309	Spacer, Spindle	47	04021-10	Hex Nut, 5/16-18 Elastic Stop
17	04040-10	Flatwasher, 5/8 W	48	04021-09	Hex Nut, 3/8-16 Elastic Stop
18	04001-41	Bolt, Hex Head 5/8-11 x 9.50"	49	04043-04	Flatwasher, 3/8 (.938 x .391 x .105) Grade 8
19	481707	Cutter Blade, 18"	50	04019-04	Nut, 3/8-16 Serrated Flange
19A	48185	Cutter Blade, 18" Hi Lift	51	461291	Discharge Chute, Nylon
20	43299	Spindle Shaft	52	04001-51	Capscrew, Hex Head 3/8-16 x 3.75"
21	481024	Seal, Cutter Spindle Top	53	04001-136	Capscrew, Hex Head 3/8-16 x 1.50" Grade 8
22	481022	Tapered Bearing Set (Two Bearings W/Race)	54	43510	Pivot, Idler - Long
23	48114-04	Grease Fitting	55	04001-62	Capscrew, Hex Head 3/8-16 x 3.25"
24	48677	Relief Fitting, Cutter Spindle	56	422713	Base, Idler Pivot
25	43294	Spindle Housing	57	04003-04	Bolt, Carriage 5/16-18 x 1.0"
26	43312	Spacer, Outside	58	461174	Idler Arm Weldment
27	43296	Spacer, Inside	59	48224	Ball Bearing
28	481025	Seal, Cutter Spindle Bottom	60	04001-154	Bolt, Hex Head 5/16-18 x 4.75"
29	43297	Spindle Bushing	61	422763	Belt Cover, RH
30	481035	Nut, Spindle	62	481597	Spring, Deck Idler
31	422762	Belt Cover, LH	63	481962	Pulley, Idler
32	481625-01	Wing Nut, 3/8-16	64	04030-03	Lockwasher, 5/16 (.317 x .586 x .078)

\* Common hardware which should be purchased locally. All bolts are Grade 5 plated, all other fasteners zinc plated.

## 48" & 52" CUTTER DECKS

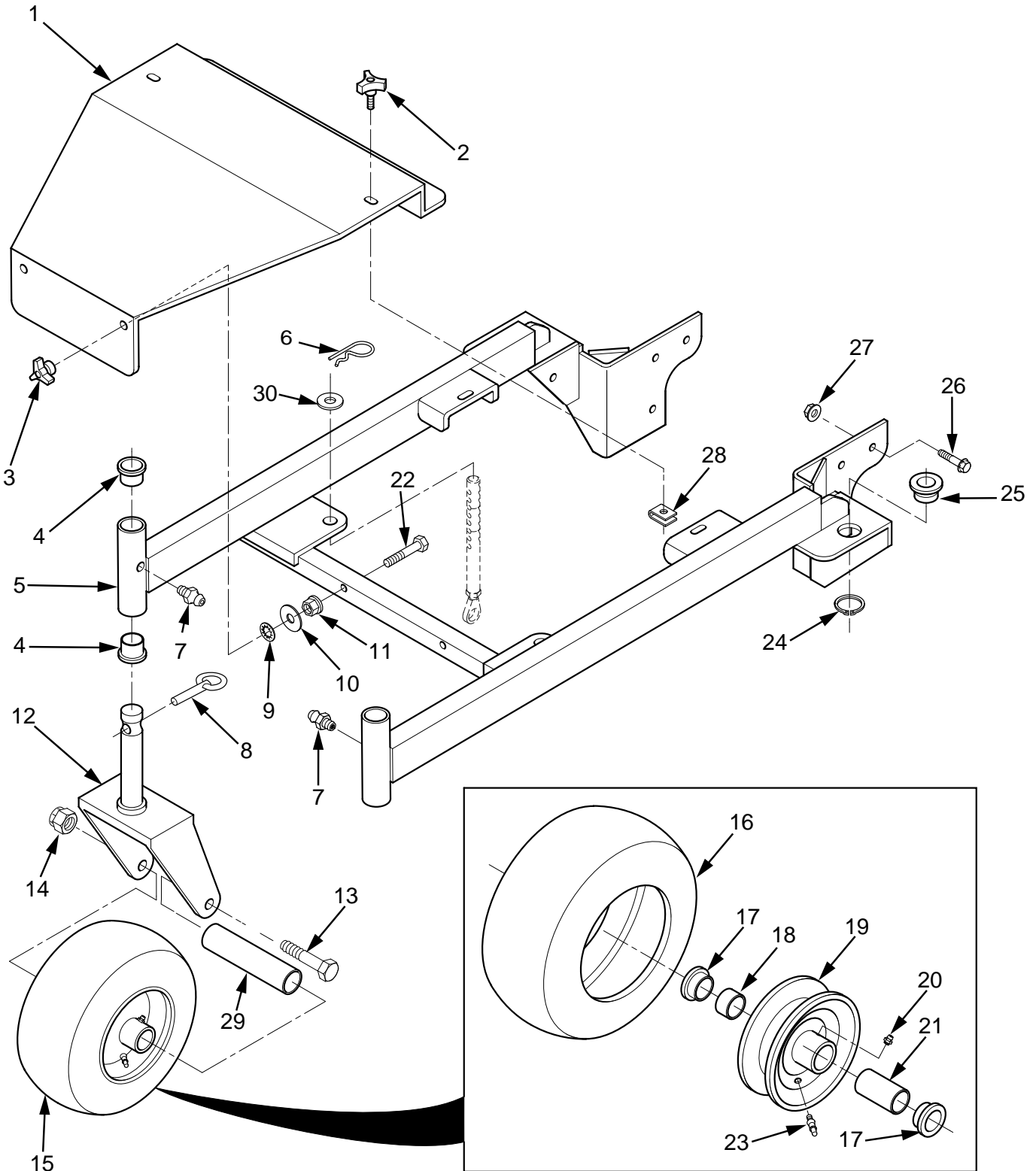


## 48" & 52" CUTTER DECKS

Ref. Part No. No. Description	Ref. Part No. No. Description
1 461368 Cutter Deck With Decals 48"	35 48677 Relief Fitting, Cutter Spindle
461373 Cutter Deck With Decals 52"	36 43312 Spacer Outside
2 04017-27 Capscrew, 3/8-16 x 1.0" Serrated Flange	37 43296 Spacer, Inside
3 04021-05 Lock Nut, 3/8-16 Center Lock	38 481025 Seal, Cutter Spindle - Bottom
4 48100-15 Bushing, 376 ID Oilite	39 43297 Spindle Bushing
5 481632 Wheel, Anti-Scalp	40 481035 Nut, Spindle
6 422478 Bracket, Anti-Scalp Wheel	41 481625-01 Wing Nut, 3/8-16
7 04003-26 Bolt, Carriage 3/8-16 x 4.0"	42 451118 Roller Shaft
8 04021-09 Hex Nut, 3/8-16 Elastic Stop	43 04001-12 Bolt, Hex Head 5/16-18 x 1.0" Front
9 04043-04 Flatwasher, 3/8 (.938 x .391 x .105) Grade 8	43 04001-11 Bolt, Hex Head 5/16-18 x 1.50" Rear
10 48224 Ball Bearings	44 04060-08 Pin, Slotted Spring 3/16 x 1.50"
11 461175 Idler Arm RH	45 43515 Pin, Deck Adjustment Rear
12 43503 Pivot, Idle - Short	46 48926 Tapered Hub
13 04003-04 Bolt, Carriage 5/16-18 x 1.0"	47 48038 Guide, Roller
14 422713 Base, Idler Pivot	48 48924 Pulley
15 04001-31 Capscrew, Hex Head 3/8-16 x 2.50"	49 48923 Pulley, 5.75 Double Groove
16 04001-45 Capscrew, Hex Head 3/8-16 x 2.0"	50 481922 Belt, Deck Drive
17 04001-136 Capscrew, Hex Head 3/8-16 x 1.50" Grade 8	51 04015-14 Capscrew, Socket Head 1/4-20 x 1.375"
18 04019-04 Nut, 3/8-16 Serrated Flange	52 04020-09 Hex Nut, 5/8-11
19 48181 Pulley, Idler	53 48087 Belt, RH Blade Drive 48"
20 481838 Pin Assembly (Incl. 21 & 23)	53 48285 Belt, RH Blade Drive 52"
21 04020-25 Nut, 3/8-24 Jam	54 422745 Belt Cover, RH
22 43512 Spacer, Deck Adjustment Pin	55 04001-62 Capscrew, Hex Head 3/8-16 x 3.25"
23 481539 Rod End, Male 3/8-24	56 461174 Idler Arm Weldment
24 46631 Spindle Assembly	57 04001-51 Capscrew, Hex Head 3/8-16 x 3.75"
25 43309 Spacer, Spindle	58 461291 Discharge Chute, Nylon
26 04001-41 Bolt, Hex Head 5/8-11 x 9.50"	59 04019-03 Nut, 5/16-18 Serrated Flange
27 04040-10 Flatwasher, 5/8 W	60 481597 Spring, Deck Idler
28 481706 Cutter Blade 16-1/2" 48"	61 04001-154 Bolt, Hex Head 5/16-18 x 4.75"
28 481707 Cutter Blade 18" 52"	62 482245 Spring, Chute Return
28A 481710 Cutter Blade 16-1/2" Hi Lift 48"	63 04021-09 Nut, 3/8-16 Elastic Stop
28A 481711 Cutter Blade 18" Hi Lift 52"	64 04021-10 Nut, 5/16-18 Elastic Stop
29 04001-10 Bolt, Hex Head 5/16-18 x 1.50"	65 04001-31 Bolt, Hex Head 3/8-16 x 2.50"
30 43298 Spindle Shaft	66 04063-08 Key, 1/4 x 1/4 x 2.0"
31 481024 Seal, Cutter Spindle - Top	67 481962 Pulley, Idler
32 481022 Tapered Bearings (Two)	68 43510 Pivot, Idler - Long
33 48114-04 Grease Fitting	69 422744 Belt Cover LH
34 43294 Spindle Housing	70 04110-03 U-Nut, 3/8-16
	71 04030-03 Lockwasher, 5/16 (.317 x .586 x .078)

\* Common hardware which should be purchased locally. All bolts are Grade 5 plated, all other fasteners zinc plated.

## 36" DECK FRAME



SWU99DF36



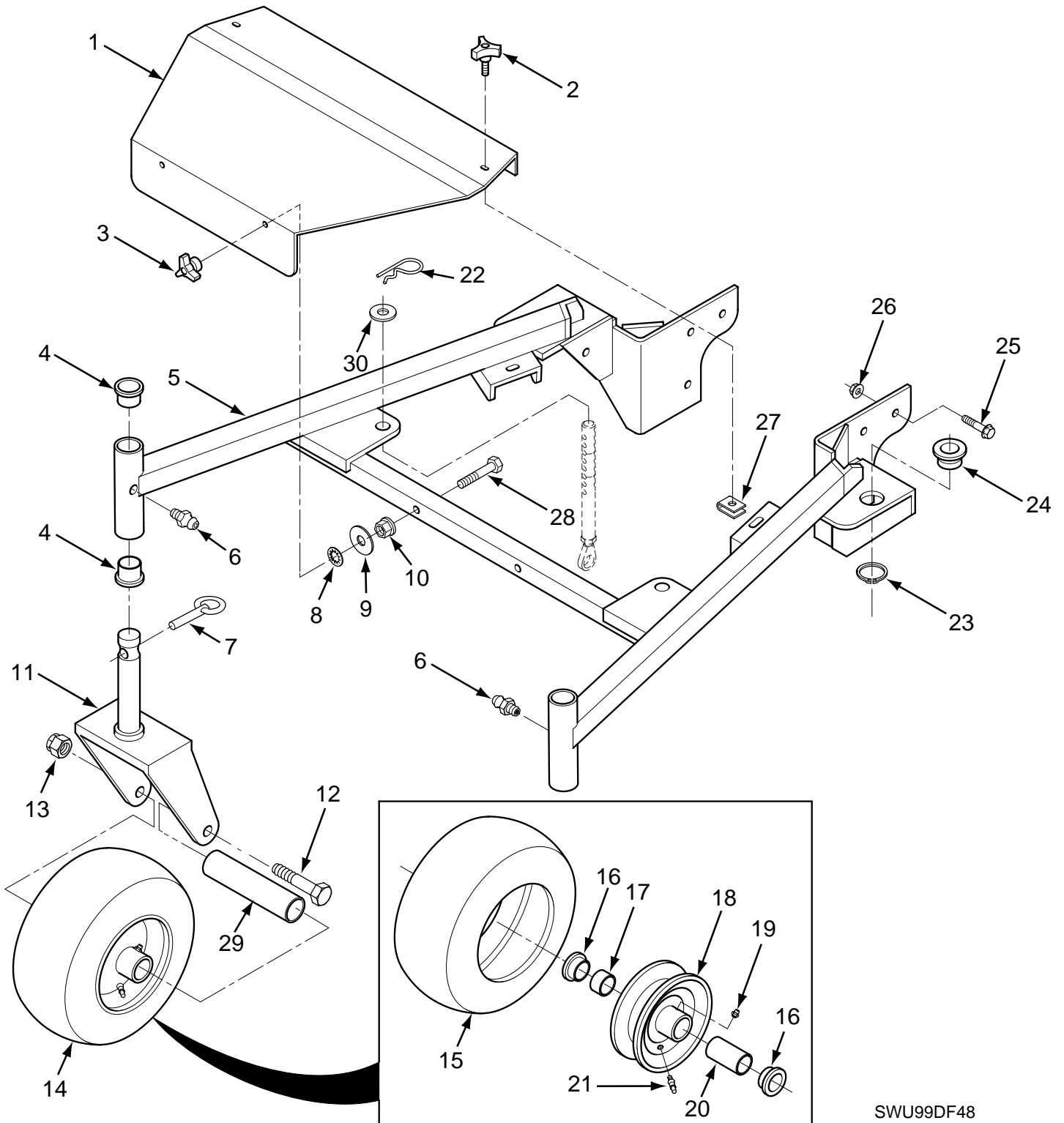
## 36" DECK FRAME

Ref. Part No. No.	Description
1	461170 Belt Cover With Decal
2	481625-01 Knob With Stud
3	04029-03 Knob, Deck Cover Mounting
4	48100-08 Bushing, Caster
5	451097 Frame Weldment, Deck Mounting - 36"
6	04062-04 Hair Pin Cotter, .177 x 3.25"
7	48114-04 Grease Fitting Str. 1/4-28 Self Tap
8	04066-01 Quick Pin .438 Dia
9	04024-02 Nut, Push-On - 3/8 Thd.
10	04041-07 Flatwasher, 3/8 - (.391 x .938 x .105)
11	04019-04 Nut, 3/8-16 Serrated Flange Hex Head
12	45325 Yoke, Caster Wheel
13	04001-80 Capscrew, Hex Head 1/2-13 x 6.50"
14	04021-07 Locknut, 1/2-13 Elastic Stop
15	481843 Wheel Assembly, Caster
16	481845 Tire, 11 x 4.00-5
17	481770 Retainer
18	481846 Roller Bearing
19	481844 Rim, 5.0 x 2.75 With Zerk & Valve
20	48114-05 Grease Fitting Str.1/4-28
21	481769 Roller Bearing .625 x 3.25"
22	04001-46 Capscrew, Hex Head 3/8-16 x 2.25"
23	** Tire Valve, Purchase Locally
24	04050-16 Retaining Ring 1.50 Ext.
25	43530 Bushing, Deck Adjustment Pin
26	04017-42 Capscrew, Hex Head 7/16-14 x 1.0"
27	04019-05 Nut, 7/16-14 Serrated Flange Hex
28	04110-03 U-Nut, 3/8-16
29	43511 Sleeve, Caster Wheel
30	04040-10 Flatwasher, 5/8 - (.688 x 1.75 x .134)

\* Common hardware which should be purchased locally. All bolts are Grade 5 plated, all other fasteners zinc plated.

\*\* Purchase Locally.

## 48" & 52" DECK FRAME



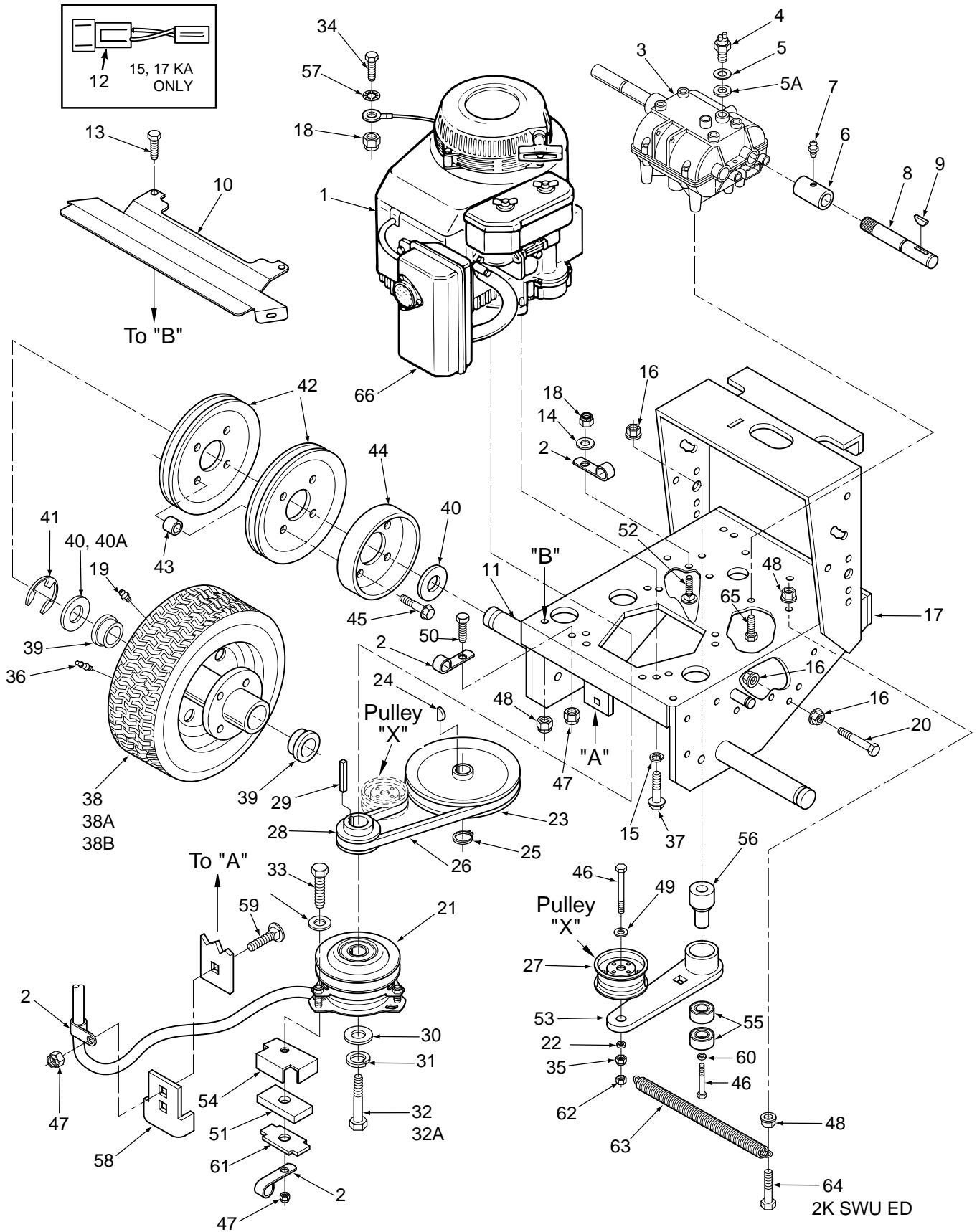
SWU99DF48

## 48" & 52" DECK FRAME

Ref. Part No. No.	Description
1	461171 Belt Cover With Decal - 48"
1	461279 Belt Cover With Decal - 52"
2	481625-01 Knob With Stud
3	04029-03 Knob, Deck Cover Mounting
4	48100-08 Bushing, Caster
5	451098 Frame Weldment, Deck Mounting - 48"
5	451155 Frame Weldment, Deck Mounting - 52"
6	48114-04 Grease Fitting Str. 1/4-28 Self Tap
7	04066-01 Quick Pin, .438 Dia
8	04024-02 Nut, Push-On - 3/8 Thd.
9	04041-07 Flatwasher, 3/8 (.391 x .938 x .105)
10	04019-04 Nut, 3/8-16 Serrated Flange Hex Head
11	45325 Yoke, Caster Wheel
12	04001-80 Capscrew, Hex Head 1/2-13 x 6.50"
13	04021-07 Locknut, 1/2-13 Elastic Stop
14	481843 Wheel Assembly, Caster
15	481845 Tire, 11 x 4.00-5
16	481770 Retainer
17	481846 Roller Bearing
18	481844 Rim, 5.0 x 2.75 With Zerk & Valve
19	48114-05 Grease Fitting Str. 1/4-28
20	481769 Roller Bearing .625 x 3.25"
21	* Tire Valve, Purchase Locally
22	04062-04 Hair Pin Cotter, .177 x 3.25"
23	04050-16 Retaining Ring 1.50 Ext.
24	43530 Bushing, Deck Adjustment Pin
25	04017-42 Capscrew, Hex Head 7/16-14 x 1.0"
26	04019-05 Nut, 7/16-14 Serrated Flange Hex
27	04110-03 U-Nut, 3/8-16
28	04001-46 Capscrew, Hex Head 3/8-16 x 2.25"
29	43511 Sleeve, Caster Wheel
30	04040-10 Flatwasher, 5/8 - (.688 x 1.75 x .134)

\* Common hardware which should be purchased locally. All bolts are Grade 5 plated, all other fasteners zinc plated.

## ENGINE DECK



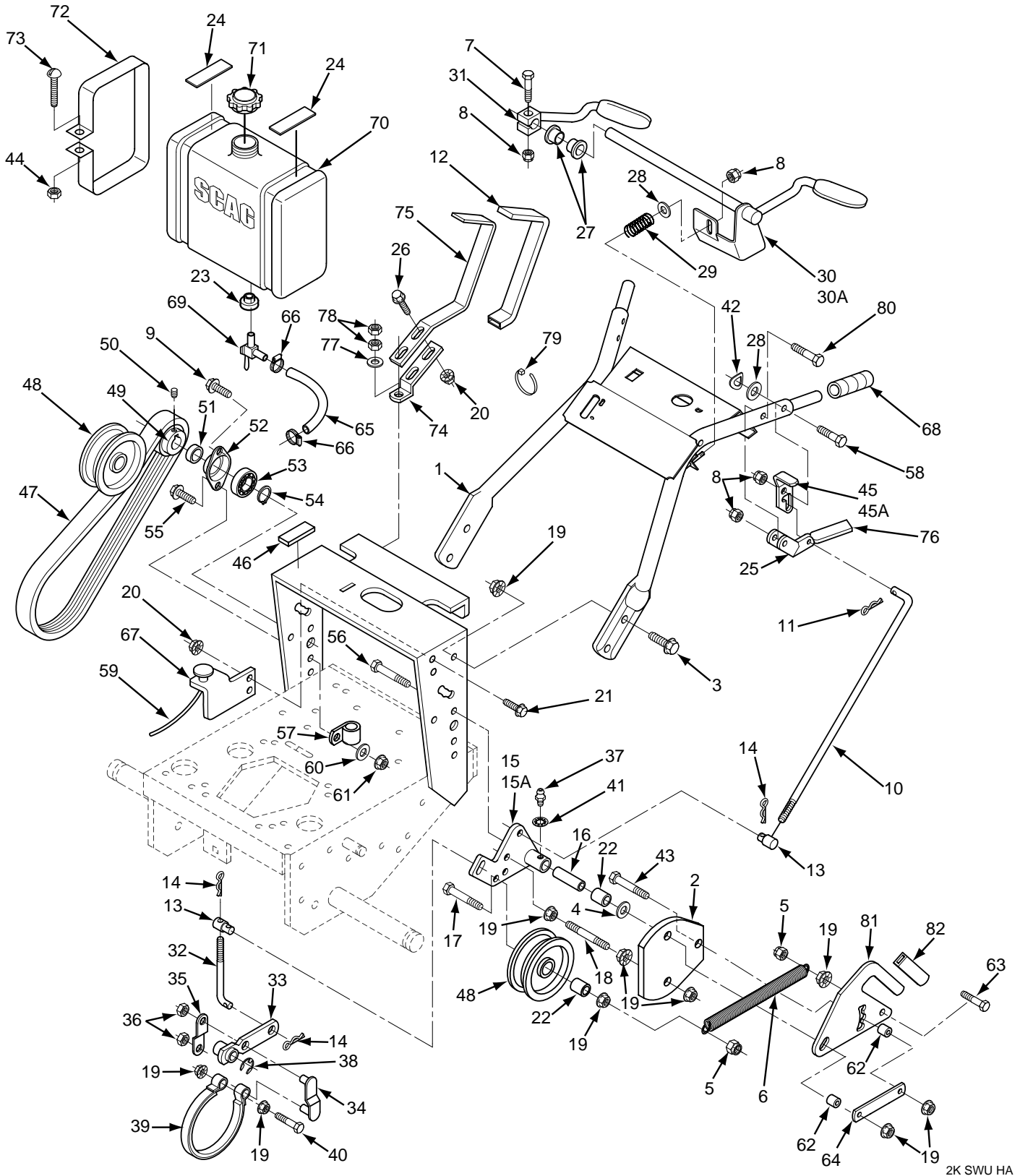
## ENGINE DECK

Ref. Part No. No.	Description	Ref. Part No. No.	Description		
1	482144	Engine,15HP Kawasaki (FH451V - AS02)	41	04050-08	Retaining Ring, 1" Ext.- "E"
1	481563	Engine, 17HP Kawasaki (FH500V)	42	48200	Pulley, Wheel Drive
2	48030-09	Cable Clamp	43	43088	Spacer, Wheel Pulley
3	481580	Transmission, 5-speed (Peerless 700-070, 9 spline)	44	48209	Brake Drum
4	48231	Neutral Safety Switch	45	04017-19	Bolt, 5/16-18 x 1-1/2" Serrated Flange
5	48122-01	Fibre Washer, thin	46	04001-22	Capscrew, Hex Head 3/8-16 x 2.75"
5A	48122-02	Fibre Washer, thick	47	04021-10	Nut, 5/16-18 Elastic Stop
6	481581	Coupler, Jackshaft	48	04019-03	Nut, 5/16-18 Serrated Flange Hex Head
7	48114-05	Grease Fitting, straight 1/4-28	49	04041-07	Flatwasher, 3/8 (.391 x .938 x .105)
8	481582	Jackshaft (fits SW32,36 & 48)	50	04001-08	Bolt, 5/16-18 x .75" Hex Head
9	04063-09	Key, Hi-Pro #9	51	481716	Rubber Pad, Clutch Stop
10	422737	Heat Shield, 36" & 48"	52	04003-02	Bolt, 1/4-20 x .75" Carriage
10	422883	Heat Shield, 52"	53	461169	Idler Arm, Trans. Drive
11	43085	Wheel Axle (SW36,48) **	54	422533	Backing Plate
12	481717	Wire Harness Adaptor, 17KA	55	48224	Ball Bearing
13	04017-16	Bolt, 5/16-18 X .75" Serrated Flange Hex Head	56	43504	Hub Idler Pivot
14	04040-14	Flat Washer 1/4" (.312 X .75 X .065)	57	04031-09	Lock Washer Internal Tooth
15	04030-03	Lock Wshr. 5/16"	58	421370	Anti Rotation Bracket
16	04019-04	Nut, 3/8-16 Serrated Flange	59	04003-04	Bolt, 5/16-18 x 1" Carriage
17	46765	Engine Deck	60	04043-04	Flatwasher, 3/8 (.391 x .938 x .105 HD) Grade 8
18	04021-08	Nut, 1/4-20 Elastic Stop	61	422534	Plate, Backing
19	48114-04	Grease Fitting, 1/4-28 Self Tap	62	04021-05	Nut, 3/8-16 Elastic Stop
20	04001-51	Bolt, 3/8-16 x 3-3/4" Hex Head	63	481835	Spring, Return Drive Idler
21	461073	Electric Clutch (Ogura)	64	04001-02	Bolt, Hex Head 3/8-16 x 2.75"
22	04041-07	Washer, 3/8" (.391 x .938 x .105)	65	04017-16	Capscrew, 5/16-18 x .75 Serrated Flange Hex Head
23	48197	Pulley, Transmission Input	66	12-068-64	Muffler, Kohler (Purchase from Kohler Only)
24	04063-07	Key, Woodruff #9	66	49070-7002	17KA Muffler (Purchase from Kawasaki Only)
25	04050-09	Retaining Ring, 5/8" Ext, Basic			
26	48203	Belt, Transmission Drive			
27	481048	Idler Pulley, Transmission			
28	481666	Pulley, Traction Drive			
29	04063-19	Key, 1/4 x 1/4 x 3/4"			
30	04041-28	Flat Washer, 7/16" Special			
31	04030-05	Lock Washer,7/16"			
32	04001-101	Bolt, 7/16-20 x 2-1/2" Hex Head (Kohler Only)			
32A	04002-15	Cpsrw, M10-1.5 x 55 Metric Hex Hd (Kawasaki)			
33	04001-12	Bolt, 5/16-18 x 1-3/4" Hex Head			
34	04002-07	Bolt, M8-1.25 x 1.0			
35	04021-09	Nut, 3/8-16 Elastic Stop			
36	*	Valve Stem, Purchase Locally			
37	04018-01	Bolt, M8-1.25 x M25 Metric Hex Hd			
38	481841	Wheel Assembly (incl. 38A-38B)			
38A	481842	Tire, 15 x 6.0-6, Turf Saver			
38B	481859	Rim & Bearing Assembly (incl. 39)			
39	481858	Wheel Brng. NWC (OD 1.984 - 1.980)			
40	04042-05	Washer, 1-1/16 x 1-3/4 x 12 ga			
40A	04041-14	Washer, 1-1/16 x 1-1/2 x 18 ga			

\* = Purchase Locally

\*\* = Requires welding onto chassis.

## HANDLE ASSEMBLY



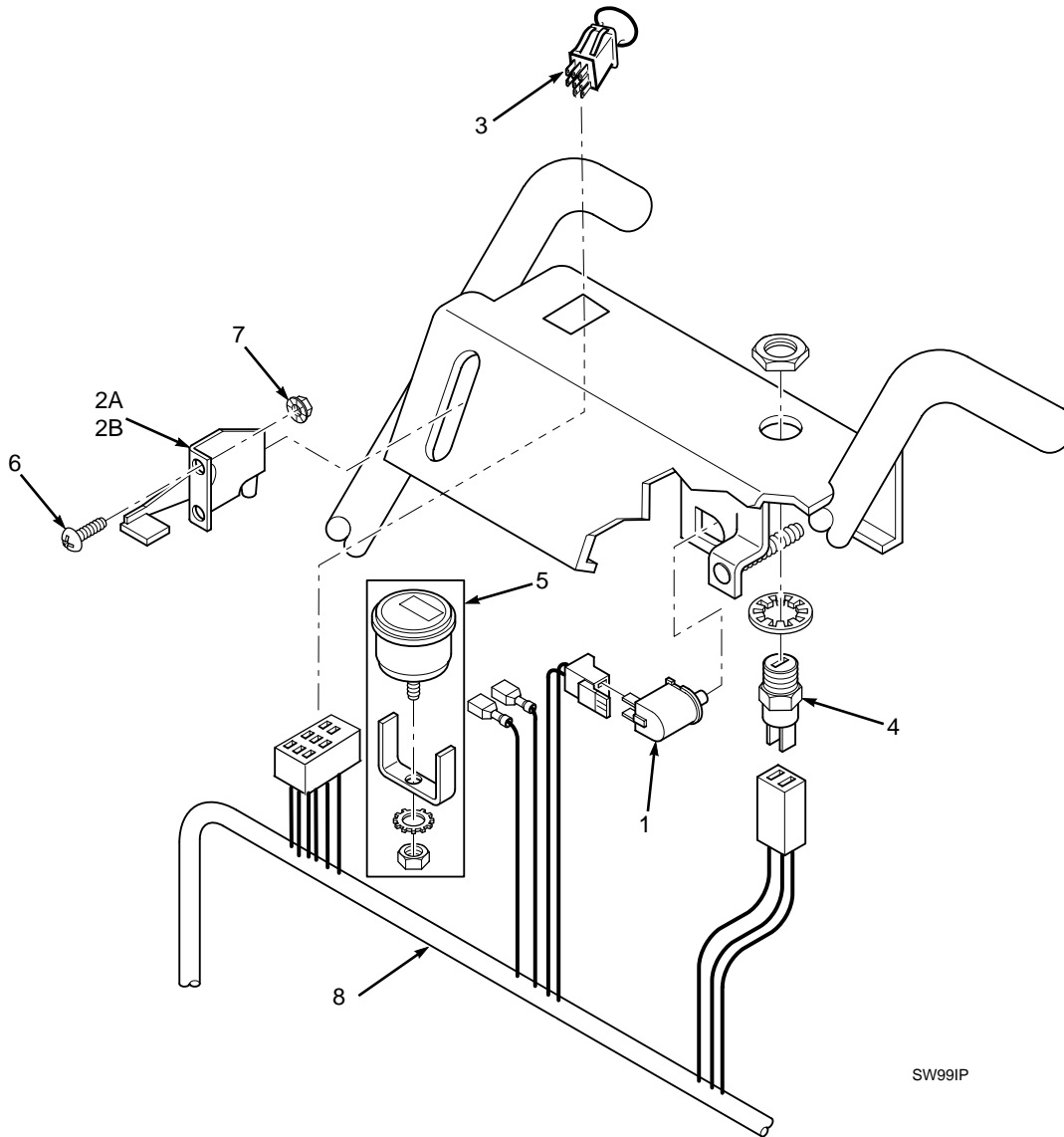
2K SWU HA

## HANDLE ASSEMBLY

Ref. Part No. No.	Description	15KA	17KA	Ref. Part No. No.	Description	15KA	17KA	
1	49403	Handle Assembly 16" Frame	x	x	44	04020-02 Nut, 1/4-20 Hex	x	x
2	421360	Belt Guard	x	x	45	461242 Neutral Latch, RH	x	x
3	04017-27	Capscrew, 3/8-16 x 1" Ser. Flange	x	x	45A	461241 Neutral Latch, LH	x	x
4	04041-07	Flatwasher, 3/8 (.391 x .938 x .105)	x	x	46	48205 Rubber Pad (Lower)	x	x
5	04021-09	Nut, 3/8-16 Elastic Stop	x	x	47	48202A Belt, Wheel Drive	x	x
6	481834	Spring, Idler	x	x	48	48198 Idler Pulley, Wheel Drive	x	x
7	04001-10	Bolt, 5/16-18 x 1-1/4" Hex Head	x	x	49	48199 Pulley, Jackshaft (Inc. 50)	x	x
8	04021-10	Nut, 5/16-18 Elastic Stop	x	x	50	04012-04 Setscrew, Hex Socket Knurl Cup Pt. 5/16-18 (nylock)	x	x
9	04017-05	Capscrew, 1/4-20 x 3/4" Hex Head	x	x	51	43098 Spacer, Jackshaft Pulley	x	x
10	44004	Control Rod, Steering	x	x	52	48223 Flange, Jackshaft Bearing	x	x
11	04062-02	Hair Pin, Small	x	x	53	48224 Bearing, Jackshaft	x	x
12	481839	Grip, Shift Lever			54	04050-09 Retaining Ring, 5/8 Ext. Basic	x	x
13	43032	Swivel Joint	x	x	55	04017-06 Capscrew, 1/4-20 x 1" Ser. Flange	x	x
14	04062-01	Hair Pin, Large .094 Diameter	x	x	56	04001-62 Bolt, 3/8-16 x 3.25"	x	x
15	45847	Idler Bracket, RH	x	x	57	48030-09 Clamp	x	x
15A	45846	Idler Bracket, LH	x	x	58	04001-17 Bolt, 5/16-18 x 2" Hex Head	x	x
16	43092	Idler Sleeve	x	x	59	482314 Choke Control	x	x
17	04001-62	Bolt, 3/8-16 x 3/4" Hex Head	x	x	60	04040-15 Flatwasher, 5/16 (.375 x .875 x .083)	x	x
18	04004-17	Support Belt Guard	x	x	61	04021-02 Nut, 1/4-20 Elastic Stop	x	x
19	04019-04	Nut, 3/8-16 Serrated Flange	x	x	62	43212 Spacer	x	x
20	04019-03	Nut, 5/16-18 Serrated Flange	x	x	63	04001-32 Bolt, Hex Head 3/8-16 x 1.25"	x	x
21	04017-16	Cpscrew, 5/16-18 x .75" Ser. Flng.		x	64	422756 Bar	x	x
22	43286	Spacer	x	x	65	48058 Fuel Hose, 1/4" ID, 20" (KA )		x
23	48309	Bushing, Fuel Tank	x	x	66	48059-01 Clamp, Fuel Hose	x	x
24	48292	Rubber Pad, (Upper)	x	x	67	421622 Bracket, Choke Mounting		x
25	46089	Steering Lever	x	x	68	48159 Grip, Handle	x	x
26	04017-17	Capscrew, 5/16-18 x 1" Ser. Flng.	x	x	69	48308 Valve, Fuel Shut Off	x	x
27	48312	Bushing, Operator Presence	x	x	70	46846 Fuel Tank Assy. (Incl. Bush. & Val.)	x	x
28	04040-15	Washer, 5/16 (.375 x .875 x .083)	x	x	71	481603 Fuel Tank Cap	x	x
29	48951	Spring, Operator Presence	x	x	72	421239 Strap, Fuel Tank	x	x
30	45573	Operator Presence Lever, LH (Small Frame)	x	x	73	04010-10 Screw, 1/4-20 x 2" Rnd Hd Slotted	x	x
31	45572	Operator Presence Lever, RH	x	x	74	422279 Shift Lever	x	x
32	44005	Brake Rod	x	x	75	461163 Shift Lever (Incl. Item 12)	x	x
33	45092	Brake Lever	x	x	76	48144 Grip, Steering Lever	x	x
34	45093	Brake Link	x	x	77	04041-07 Washer, 3/8 (.391x .938 x .105)	x	x
35	42254	Brake Link Plate	x	x	78	04020-14 Nut, 3/8-24 UNF	x	x
36	04024-01	Nut, 3/8 Push-on	x	x	79	48028-05 Cable Tie	x	x
37	48114-05	Grease Fitting, Straight 1/4-28	x	x	80	04001-53 Bolt, 5/16-18 x 2-1/2"	x	x
38	04050-01	Retaining Ring, 5/8 Ext. "E"	x	x	81	461304 Lever, Traction Adjustment W/Grip	x	x
39	48210	Brake Band	x	x	82	481847 Grip, Traction Adjustment Lever	x	x
40	04001-45	Bolt, 3/8-16 x 2" Hex Head	x	x				
41	04031-08	1/4" Internal Tooth Lockwasher	x	x				
42	04032-01	Curved Spring Washer	x	x				
43	04001-32	Bolt, Hex Head 3/8-16 x 1.25"	x	x				

\* Common hardware should be purchased locally. All bolts are Grade 5 plated, all other fasteners zinc plated.

## INSTRUMENT PANEL



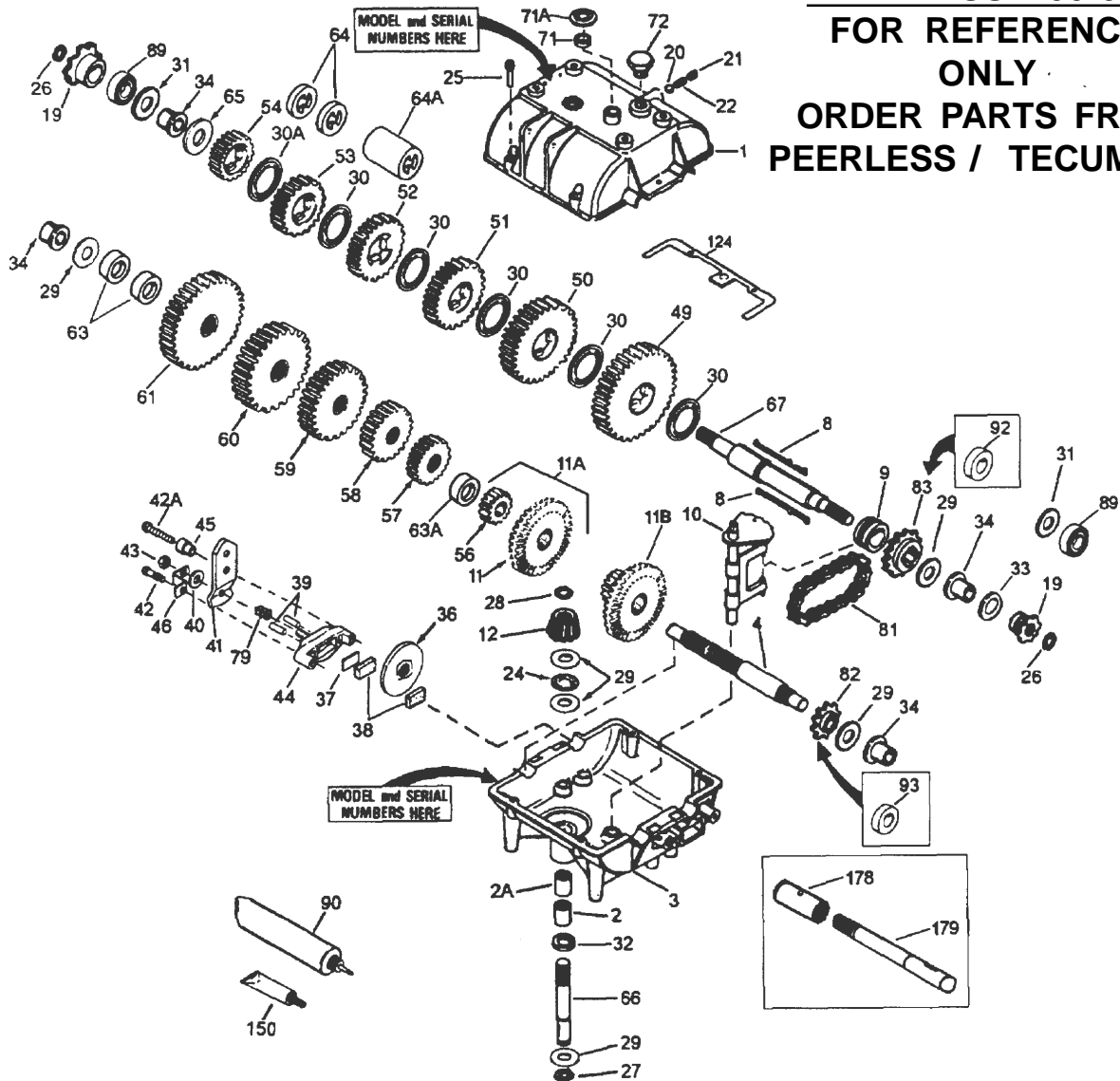
SW991P

Ref. Part No.	Part No.	Description	15KA	17KA
1	48717	Switch, Neutral Interlock	X	X
2	48946	Throttle Control	X	X
3	481687	Engagement Switch, Electric Clutch	X	X
4	48609	Key Switch (Includes hardware)	X	X
5	48023	Hour Meter (Dealer installed)	X	X
6	*	Screw, #10-32 x .50 Phillips Washer Head	X	X
7	04019-01	Nut, #10-32 Serrated Flange Hex Head	X	X
8	481678	Handle Wire Harness, Manual Start	X	X
NS	48030-09	Clamp, Wire Harness	X	X

\* Common hardware which should be purchased locally. All bolts grade 5 plated, all other fasteners zinc plated.

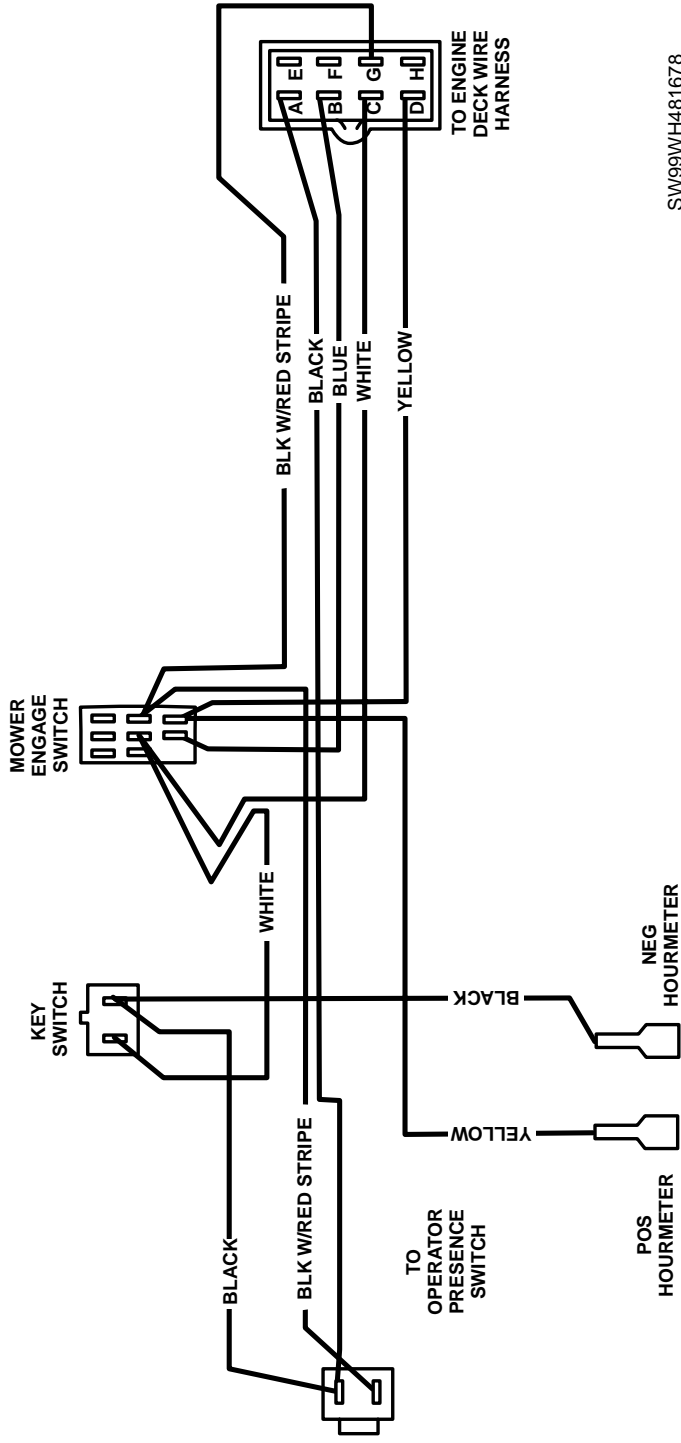


**PEERLESS 700-070  
FOR REFERENCE  
ONLY  
ORDER PARTS FROM  
PEERLESS / TECUMSEH**



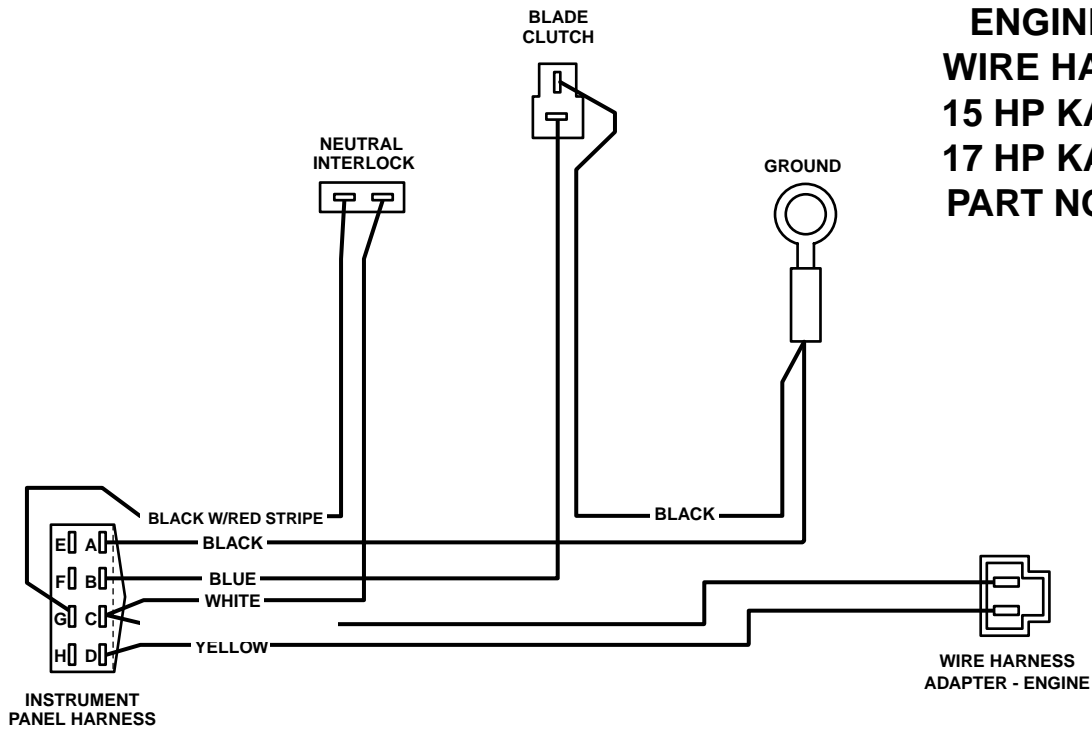
REF. PART NO.	REF. PART NO.	DESCRIPTION	REF. PART NO.	DESCRIPTION	
1	772083A	Case, Transmisson	50	778125	Spur Rear (35 teeth)
2	780086A	Needle Bearing Grease Spec	51	778239A	Spur Gear (32 teeth-steel)
2A	780142	Needle Bearing	52	778124A	Spur Gear (30 teeth)
3	770061A	Case, Transmission	53	778123A	Spur Gear (25 teeth)
8	792089A	Shift Key	56	778145	Spur Gear (12 teeth-steel)
9	784266	Shift Collar	57	778151	Spur Gear (15 teeth)
10	784376	Shift Rod & Fork	58	778240	Spur Gear (18 teeth-steel)
11	778154	Bevel Gear (42 teeth)	59	778126A	Spur Gear (20 teeth)
12	778176	Bevel Pinion (14 teeth-steel)	60	778127A	Spur Gear (25 teeth)
20	792077	Steel Ball, 5/16" dia.	65	780139	Washer
21	792078	Set Screw, 3/8-16 x 3/8"	66	776135	Input Shaft (3-11/16" long)
22	792079	Spring	67	776402	Shifter & Brake Shaft
24	780071	Thrust Bearing	71	788069	Square Cut Ring
25	792073	Screw, 1/4-20 x 1-1/4" (6)	72	792074	Threaded Plug (Shipping only, not used)
27	792035	Retaining Ring	81	786081	Roller Chain (No. 41 chain, 24 links)
28	788040	Retaining Ring	82	786082	Sprocket (9 teeth)
29	780072	Washer (6)	83	786083	Sprocket (18 teeth)
30	780108	Washer (5)	90	788067B	Grease (32 oz. bottle Bentonite grease)
32	792001	"O" Ring	150	510334	Gasket Eliminator (Loctite #515)
34	780105A	Flanged Bushing	178	481581	Coupler, Jackshaft (Purchase From Scag)
49	778146A	Spur Gear (37 teeth)	179	481582	Jackshaft (Purchase From Scag)

**HANDLE WIRE HARNESS -  
MANUAL START  
PART NO. 481678**



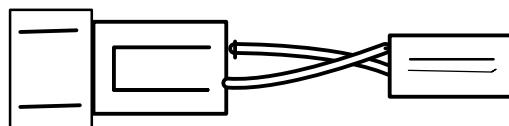
SW99WH481678

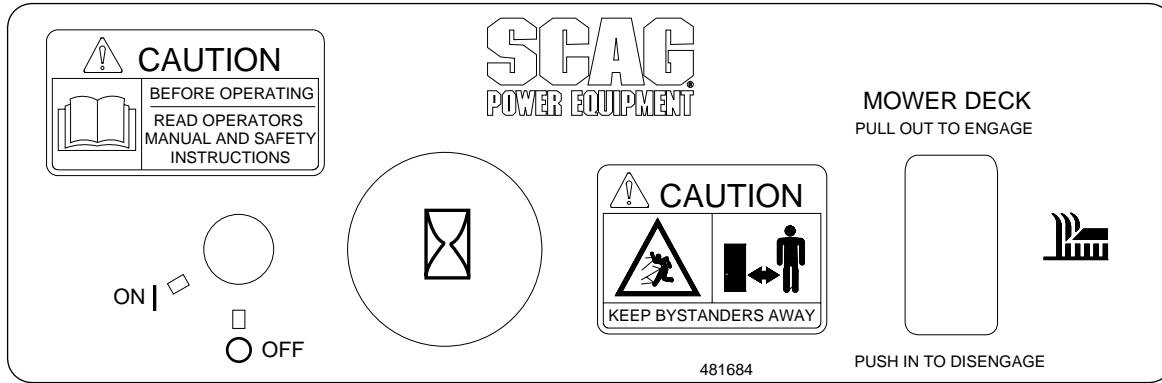
**ENGINE DECK  
WIRE HARNESS -  
15 HP KAWASAKI  
17 HP KAWASAKI  
PART NO. 481073**



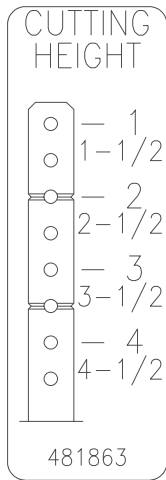
2K SWU WH481073

**WIRE HARNESS ADAPTER / KAWASAKI  
PART NO. 481717**





481684



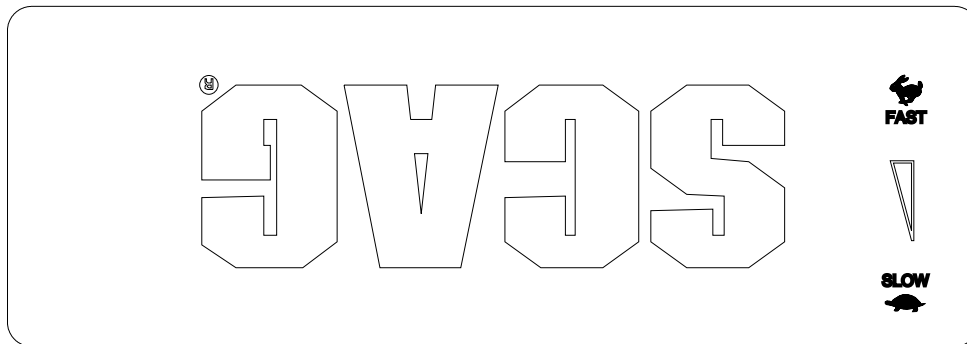
481863



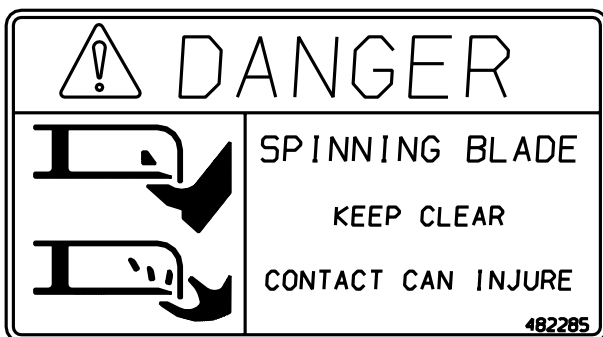
48314



481905



481483



482285



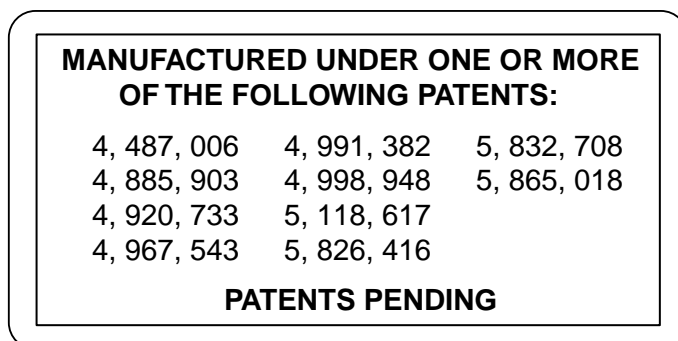
48404



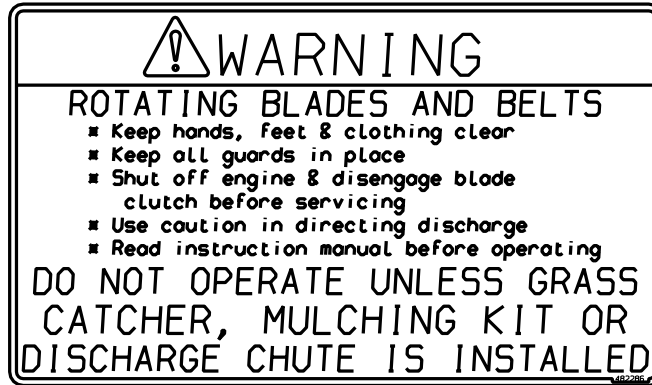
481039



481971



48656



482286

## 48 Advantage

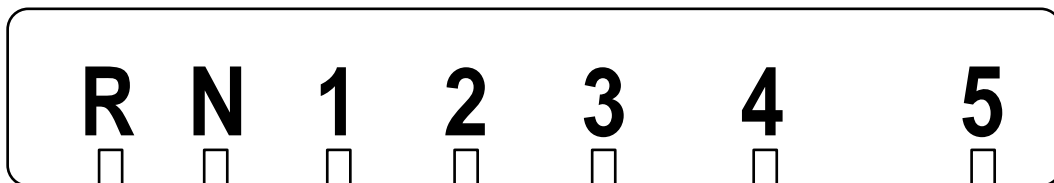
36" - 482297

48" - 481953

52" - 481954



481109



48332

48332



482165

482165

# LIMITED WARRANTY - COMMERCIAL EQUIPMENT

---

Any part of the Scag commercial mower manufactured by Scag Power Equipment and found, in the reasonable judgment of Scag, to be defective in materials or workmanship, will be repaired or replaced by an Authorized Scag Service Dealer without charge for parts and labor. This warranty is limited to the original purchaser and is not transferable. Proof of purchase will be required by the dealer to substantiate any warranty claims. All warranty work must be performed by an Authorized Scag Service Dealer.

This warranty is limited to the following specified periods from the date of the original retail purchase for defects in materials or workmanship:

- \* Wear items including drive belts, blades, hydraulic hoses and tires are warranted for ninety (90) days.
- \* Batteries are covered for ninety (90) days.
- \* Frame and structural components including oil reservoir, fittings, and oil coolers are warranted for 1 year.
- \* Cutter decks are warranted against cracking for a period of three (3) years. (Parts and labor 1st year; Parts only 2nd and 3rd year.) The repair or replacement of the cutter deck will be at the option of Scag Power Equipment. We reserve the right to request components for evaluation. This warranty does not cover any mower that has been subject to misuse, neglect, negligence, or accident, or that has been operated in any way contrary to the operating instructions as specified in the Operator's Manual.
- \* Engines and electric starters are covered by the engine manufacturer's warranty period.
- \* Major drive system components (hydraulic pumps and hydraulic motors only) are warranted for two (2) years by Scag Power Equipment. (Parts and labor 1st year; Parts only 2nd year.) (Two year warranty excludes fittings, hoses, cooling system, oil reservoir, drive belts, transaxles). The repair or replacement of the hydraulic pump or hydraulic motor will be at the option of Scag Power Equipment. This warranty does not cover any mower that has been subject to misuse, neglect, negligence, or accident, or that has been operated in any way contrary to the operating instructions as specified in the Operator's Manual.
- \* Electric clutches have a Limited Warranty for 2 year (Parts and labor 1st year; Parts only 2nd year).
- \* Cutter Spindle Assemblies 46631 have a Limited Warranty for three years (Parts and labor 1st year; Parts only 2nd and 3rd year).
- \* Any Scag product used for rental purposes is covered by a 90 day warranty.

The Scag mower, including any defective part must be returned to an Authorized Scag Service Dealer within the warranty period. The expense of delivering the mower to the dealer for warranty work and the expense of returning it to the owner after repair will be paid for by the owner. Scag's responsibility is limited to making the required repairs and no claim of breach of warranty shall be cause for cancellation or rescission of the contract of sale of any Scag mower.

**This warranty does not cover any mower that has been subject to misuse, neglect, negligence, or accident, or that has been operated in any way contrary to the operating instructions as specified in the Operator's Manual.** The warranty does not apply to any damage to the mower that is the result of improper maintenance, or to any mower or parts that have not been assembled or installed as specified in the Operator's Manual and Assembly Manual. The warranty does not cover any mower that has been altered or modified, changing performance or durability. In addition, the warranty does not extend to repairs made necessary by normal wear, or by the use of parts or accessories which, in the reasonable judgment of Scag, are either incompatible with the Scag mower or adversely affect its operation, performance or durability.

**Scag Power Equipment reserves the right to change or improve the design of any mower without assuming any obligation to modify any mower previously manufactured.** All other implied warranties are limited in duration to the one (1) year warranty period or ninety (90) days for mowers used for rental purpose. Accordingly, any such implied warranties including merchantability, fitness for a particular purpose, or otherwise, are disclaimed in their entirety after the expiration of the appropriate one year or ninety day warranty period. Scag's obligation under this warranty is strictly and exclusively limited to the repair or replacement of defective parts and Scag does not assume or authorize anyone to assume for them any other obligation. Some states do not allow limitations on how long an implied warranty lasts, so the above limitation may not apply to you.

Scag assumes no responsibility for incidental, consequential or other damages including, but not limited to, expense for gasoline, expense of delivering the mower to an Authorized Scag Service Dealer and expense of returning it to the owner, mechanic's travel time, telephone or telegram charges, rental of a like product during the time warranty repairs are being performed, travel, loss or damage to personal property, loss of revenue, loss of use of the mower, loss of time or inconvenience. Some states do not allow the exclusion or limitation of incidental or consequential damages, so the above limitation or exclusion may not apply to you. This warranty gives you specific legal rights, and you may also have other rights which vary from state to state.

© 2000  
SCAG POWER EQUIPMENT  
DIVISION OF METALCRAFT OF MAYVILLE, INC.

PART NO. 03085  
PRINTED 10/00  
PRINTED IN USA